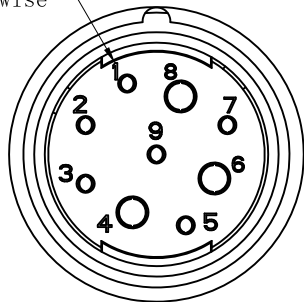
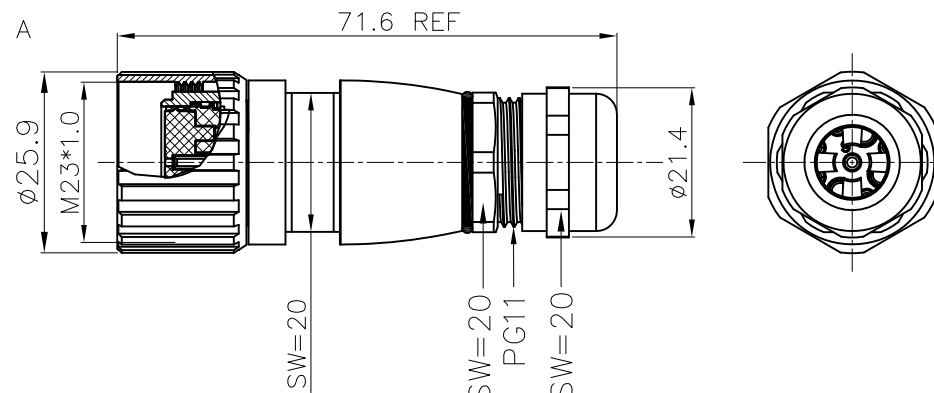
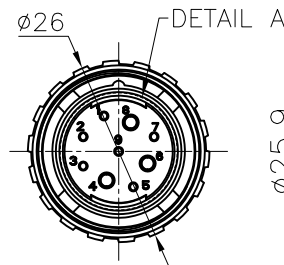


| REV | DESCRIPTION | DATE | APPROVED |
|-----|-----------------|------------|----------|
| S0 | CREATED DRAWING | 2022/10/31 | ZCH |

Contact end No. is counter clockwise

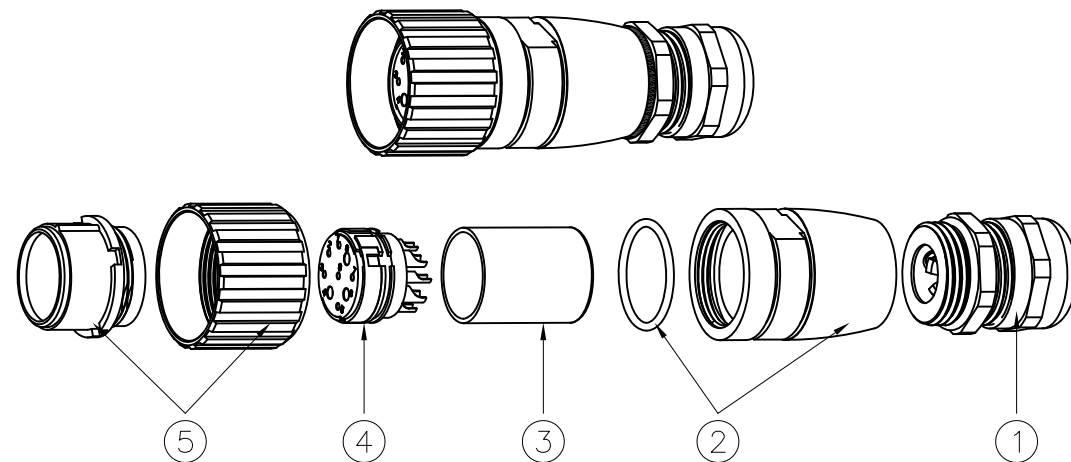


DETAIL A
SCALE 2:1




Detailed Product Description:
Waterproof Connector Rating Is IP67
They Can Not Be Used Permanently Under Water.

Connector Electrical Character
Rating Voltage: 250V AC/DC ,
Rating Current : 6x8 A/3x20 A
Insulation Resistance: >100M ohms
Contact Resistance Of Connector ≤5m ohms
Mechanical Characteristics:
Mating / Cycle >500 Cycles
Operating Temperature: -40°C ~ +115°C
Design from DIN EN60664 AND DIN EN61984
Applicable Wire: 6*1.5mm²(16AWG)/3*2.5mm²(14AWG)
Cable OD: 3mm-9.5mm
*All Materials Are RoHS Compliant.



| ITEM | PART NO. | SPECIFICATION | Q'TY | UNIT |
|------|-----------|---------------------------|------|------|
| ⑤ | CN00499 | M23 LOCK NUT | 1 | SET |
| ④ | N/A | M23 6+3 PIN FEMALE INSERT | 1 | SET |
| ③ | CN00493 | M23 PLASTIC PART INSIDE | 1 | PCS |
| ② | CN00508-1 | M23 MAIN BODY | 1 | SET |
| ① | CN00492 | M23 CABLE GLAND | 1 | SET |



SIGNAL
Shenzhen Signal Electronics co.,Ltd

TITLE: M23 6+3 PIN FEMALE HEAD METAL ASSEMBLY (M23*1.0)

SGN NO: 230009-02-004

DWG NO: SGNYD2210106-2

CUSTOMER: SO

| | | | |
|-------------|------|-------------------------------------|------------------------|
| DRAWING BY | DATE | TOLERANCES ARE: DECIMALES ANGLES | THIRD ANGLE PROJECTION |
| CHECKED BY | DATE | | |
| CHECKED BY | DATE | .x ±0.5 | x.' ±2.0' |
| APPROVED BY | DATE | .xx ±0.20 | .x' ±1.0' |

THE INFORMATION CONTAINED IN THIS DRAWING IS THE SOLE PROPERTY OF SIGNAL COMPANY. ANY REPRODUCTION IN PART OR WHOLE WITHOUT THE WRITTEN PERMISSION OF SIGNAL COMPANY IS PROHIBITED.

| | |
|------------|---------------|
| SIZE: A4 | UNITS: mm |
| SCALE: 1:1 | SHEET: 1 OF 1 |