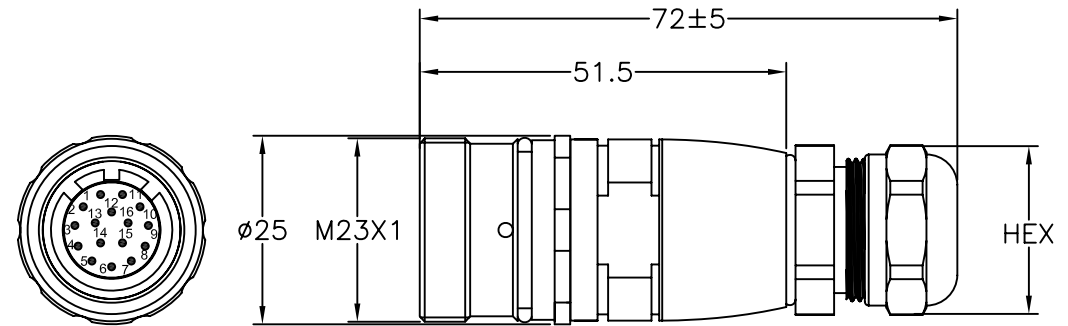


PROJECT NO:  
SGNYD1708079

REV	DESCRIPTION	DATE	APPROVED
S0	CREATED DRAWING	2017/08/29	YMX



Detailed Product Description:  
Detailed Product Description:  
Waterproof connector rating is IP67  
They can not be used permanently under water.

Connector Electrical character  
Rating voltage:60V DC ,  
Insulation resistance: >100MΩ  
Rating current :7A  
Contact resistance of connector ≤10mΩ  
Mechanical characteristics: mating / cycle >100 cycle  
Operating temperature: -25°C ~ +85°

\*ALL MATERIALS ARE RoHS COMPLIANT.

Electrical character

Part Number	Contacts	Rated voltage		Rated current	Contact Resistance	Cable OD (mm)
		A/C	D/C			
ASM23M16001		60V	60V	7A	3mΩ	5~10

<b>SIGNAL</b> <sup>®</sup> Shenzhen Signal Electronics Co., LTD		TITLE M23 MALE CONNECTOR ASSEMBLE	
		SGN NO 230016-01-001	REV. SO
DRAWN BY	DATE	DWG NO ASM23M16001	
CHECKED BY	DATE	CUSTOMER	
APPROVED BY	DATE	TOLERANCES ARE:	
<small>THE INFORMATION CONTAINED IN THIS DRAWING IS THE SOLE PROPERTY OF SIGNAL COMPANY. ANY REPRODUCTION IN PART OR WHOLE WITHOUT THE WRITTEN PERMISSION OF SIGNAL COMPANY IS PROHIBITED.</small>		DECIMALES .x ±0.5 .xx ±0.20	ANGLES x.' ±2.0' .x' ±1.0'
		THIRD ANGLE PROJECTION	SCALE:
		SIZE: A4	UNITS: mm
		SHEET: 1 OF 1	