

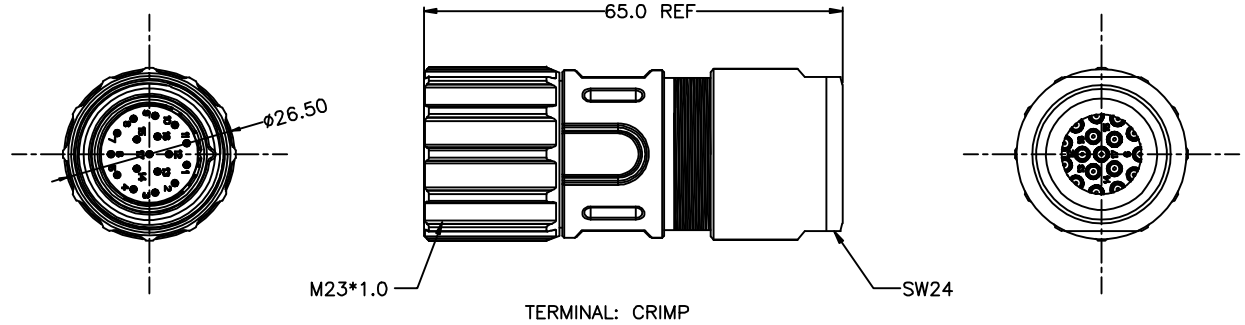
REV	DESCRIPTION	DATE	APPROVED
S0	CREATED DRAWING	2022/07/25	ZK

Detailed Product Description:  
 Waterproof connector rating is IP69K  
 They can not be used permanently under water  
 Per ISO-20653,IEC60529

Core wire: 24~18AWG  
 Cable peeling: 25mm  
 Core wire peeling: 3~4mm

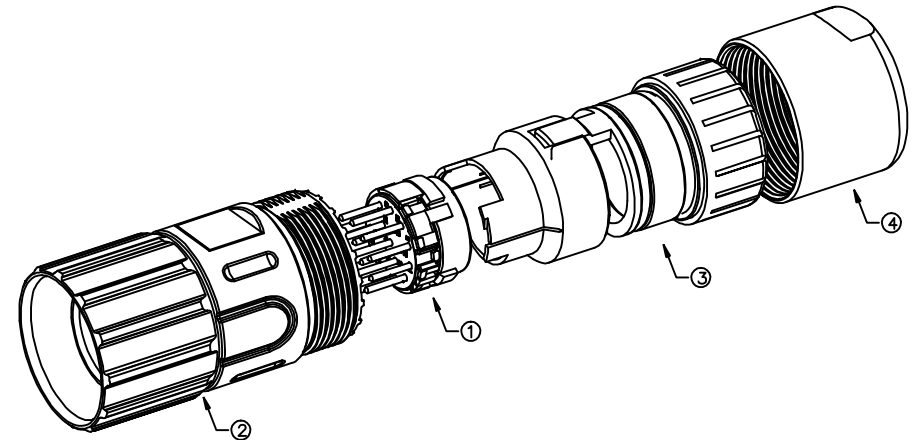
Other Specification  
 Contact Pin: Brass with gold-plated  
 Insulation plastic: PA66  
 Shell: kirsite  
 Mechanical characteristics: mating / cycle >100cycle  
 Operating temperature: -40°C ~ +85°C

\*ALL MATERIALS ARE RoHS COMPLIANT\*



Electrical character

Part Number	Contacts	Rated voltage		Rated current	Contact Resistance	Cable OD (mm)
		A/C	D/C			
230012-01-012		150V	150V	8A	5mΩ	7~12
SGNYD2207127		150V	150V	8A	5mΩ	7~12
230019-01-008		150V	150V	16*8A+3*10A	5mΩ	7~12



④	N/A	M23 TAIL NUT	BRASS	NICKEL	1	PCS
③	N/A	M23 TAIL WATERPROOF PARTS	PA66+NBR	N/A	1	SET
②	N/A	M23 FEMALE ASSEMBLY SHELL	KIRSITE+BRASS	NICKEL	1	SET
①	N/A	M23 MALE CONNECTOR	PA66	N/A	1	SET
ITEM	PART NO.	SPECIFICATION	MATERIAL	COATING	Q'TY	UNIT

**SIGNAL**  
 Shenzhen Signal Electronics Co., LTD

TITLE: M23 MALE METAL ASSEMBLY CONNECTOR

SGN NO	N/A	REV.	
DWG NO			S0
CUSTOMER			

TOLERANCES ARE:  
 DECIMALES .x ±0.5 .xx ±0.20  
 ANGLES x.' ±2.0' .x' ±1.0'  
 THIRD ANGLE PROJECTION  
 SIZE: A4 UNITS: mm  
 SCALE: SHEET: 1 OF 1

THE INFORMATION CONTAINED IN THIS DRAWING IS THE SOLE PROPERTY OF SIGNAL COMPANY. ANY REPRODUCTION IN PART OR WHOLE WITHOUT THE WRITTEN PERMISSION OF SIGNAL COMPANY IS PROHIBITED.