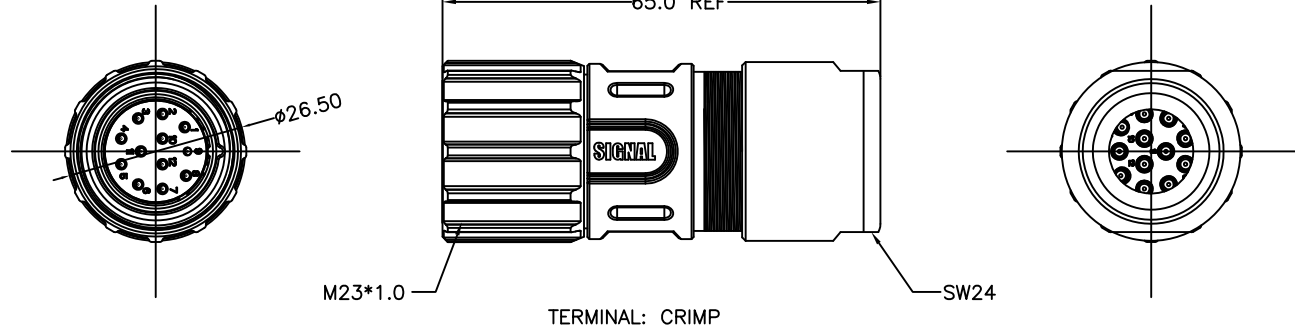


Detailed Product Description:
 Waterproof connector rating is IP67
 They can not be used permanently under water
 Per ISO-20653,IEC60529

Core wire: 26~17AWG
 Cable peeling: 25mm
 Core wire peeling: 3~4mm

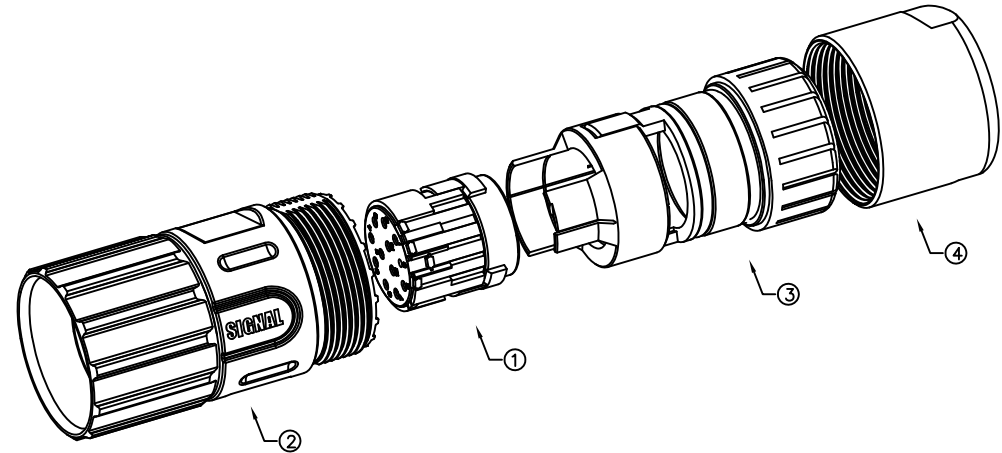
Other Specification
 Contact Pin: Phosphor bronze with gold-plated
 Insulation plastic: PA66
 Shell: kirsite
 Protection degree: IP69K
 Mechanical characteristics: mating / cycle >100cycle
 Operating temperature: -40°C ~ +85°C

ALL MATERIALS ARE RoHS COMPLIANT



Electrical character

Part Number	Contacts	Rated voltage		Rated current	Contact Resistance	Cable OD (mm)
		A/C	D/C			
230012-02-004		150V	150V	8A	5mΩ	7~12
230017-02-005		150V	150V	8A	5mΩ	7~12
230019-02-003-1		150V	150V	16*8A+3*10A	5mΩ	7~12



④	N/A	M23 TAIL NUT	BRASS	NICKEL	1	PCS
③	N/A	M23 TAIL WATERPROOF PARTS	PA66+NBR	N/A	1	SET
②	N/A	M23 FEMALE ASSEMBLY SHELL	KIRSITE	NICKEL	1	SET
①	N/A	M23 FEMALE CONNECTOR	PA66+BRASS	N/A	1	SET
ITEM	PART NO.	SPECIFICATION	MATERIAL	COATING	Q'TY	UNIT

 SIGNAL ® Shenzhen Signal Electronics Co., LTD		TITLE M23 FEMALE METAL ASSEMBLY CONNECTOR	
		SGN NO N/A	REV. SO
DRAWN BY	DATE	DWG NO	
CHECKED BY	DATE	CUSTOMER	
CHECKED BY	DATE	TOLERANCES ARE:	
APPROVED BY	DATE	DECIMALES .x ±0.5	ANGLES x.' ±2.0'
<small>THE INFORMATION CONTAINED IN THIS DRAWING IS THE SOLE PROPERTY OF SIGNAL COMPANY. ANY REPRODUCTION IN PART OR WHOLE WITHOUT THE WRITTEN PERMISSION OF SIGNAL COMPANY IS PROHIBITED.</small>		THIRD ANGLE PROJECTION	UNITS: mm
		SCALE:	SHEET: 1 OF 1