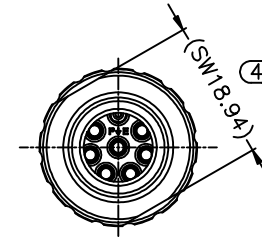
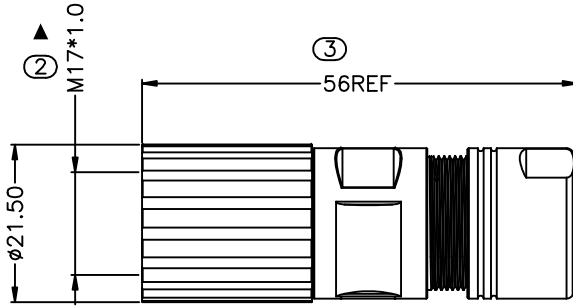
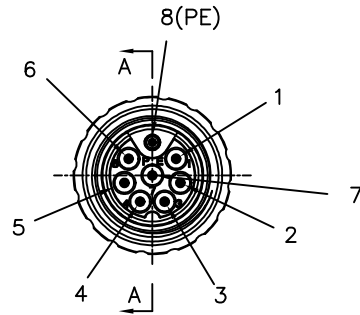
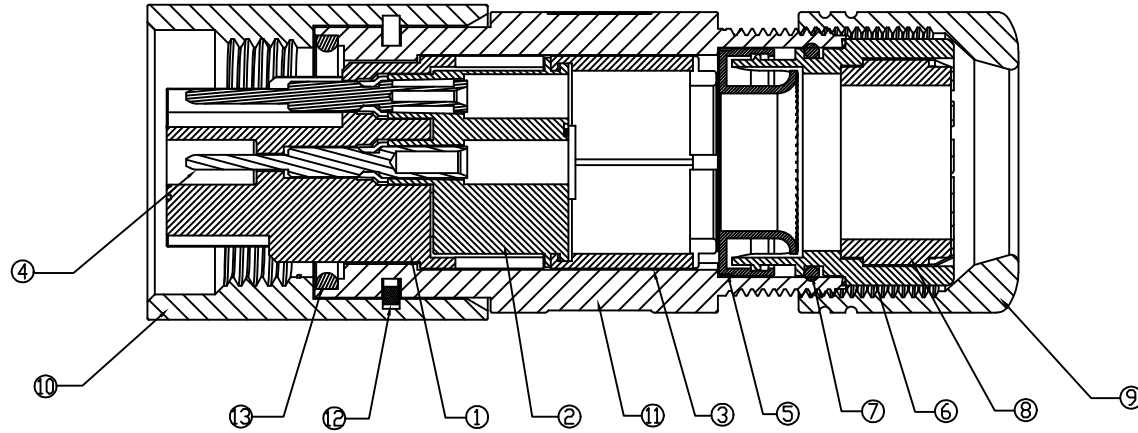


REV	DESCRIPTION	DATE	APPROVED
S0	CREATED DRWING	2022/09/15	CHZ
S1	UPDATED DRAWING	2022/11/01	CHZ
S2	UPDATED DRAWING	2023/06/25	XD



Electrical character

Rated voltage	630V AC/DC
Rated current	14A
Mechanical characteristics (mating cycle)	>100
Degree of protection (ISO-20653, IEC60529)	IP67
Operating temperature (depending on cable quality)	-25°C ~ +85°C
Destructive withstand force between connector and overmold exceeds	**kgf
Tightening torque (range)	0.4~1.8Nm
Pollution degree	3
*ALL MATERIALS ARE RoHS COMPLIANT*	



SECTION A-A:  
SCALE: 2:1

⑬	OR00282	O-Ring GREEN FKM OD=φ17.3mm	1	PCS
⑫	WJ00144	M17 CIRCLIP φ17.0*φ19.4mm	1	PCS
⑪	WK00858	M17 BRASS PLATED NICKELOUS. STRAIGHT ASSEMBLY MALE SHELL L=36.5mm	1	PCS
⑩	NU00197	M17 BRASS PLATED NICKELOUS CONNECT NUT φ21.43*23.2mm	1	PCS
⑨	NU00196	M17 BRASS PLATED NICKELOUS TAIL NUT φ20.5*15mm	1	PCS
⑧	OR00281	M17 TAIL SEAL RING GREEN FKM φ14*φ10.5mm	1	PCS
⑦	OR00306	O-Ring GREEN FKM φ14.0*1.0mm	1	PCS
⑥	CN01291	M17 METAL STRAIGHT ASSEMBLY TAIL SIX CLAWS PA66 BLACK	1	PCS
⑤	CN01409	M17 RIVETED COPPER PLATED NICKELOUS ASSEMBLY TAIL CIRCLIP	1	PCS
④	TE01442	M17 9P RIVETED COPPER GOLD PLATED 1u" CRIMP TYPE MALE TERMINAL φ1.0*19.15mm	8	PCS
③	CN01408	M17 9P STRAIGHT METAL ASSEMBLY NYLON CLIP L=11.3mm	1	PCS
②	CN01413	M17 8P ASSEMBLY MALE/FEMALE FRONT HOUSING L=14.3mm PA66	1	PCS
①	CN01412	M17 8P ASSEMBLY MALE REAR HOUSING L=25.7mm PA66	1	PCS
ITEM	PART NO.	SPECIFICATION	Q'TY	UNIT

<b>SIGNAL</b> <sup>®</sup> Shenzhen Signal Electronics co.,Ltd		TITLE M17 8PIN MALE METAL ASSEMBLY CONNECTOR	
		SGN NO 170008-01-001	REV. S2
DRAWN BY	DATE	TOLERANCES ARE:	
CHECKED BY	DATE	DECIMALES .x ±0.20	ANGLES x.' ±2.0°
CHECKED BY	DATE	.xx ±0.10	.x' ±1.0°
APPROVED BY	DATE	THIRD ANGLE PROJECTION	
THE INFORMATION CONTAINED IN THIS DRAWING IS THE SOLE PROPERTY OF SIGNAL COMPANY. ANY REPRODUCTION IN PART OR WHOLE WITHOUT THE WRITTEN PERMISSION OF SIGNAL COMPANY IS PROHIBITED.		SIZE: A4	UNITS: mm
		SCALE: 1:1	SHEET: 1 OF 1