

PROJECT NO:
XXX

REV	DESCRIPTION	DATE	APPROVED
S0	CREATED DRAWING	2022/11/09	CYF

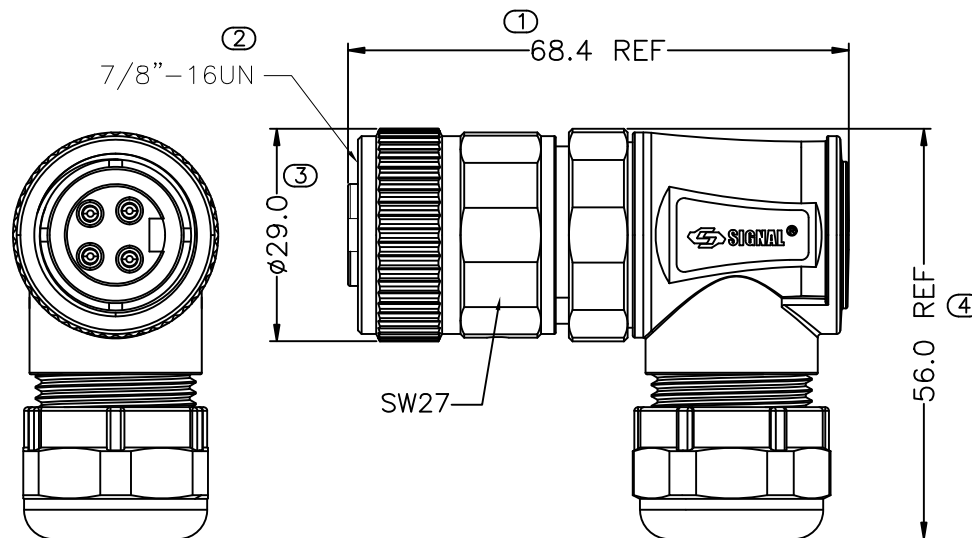
DETAILED PRODUCT DESCRIPTION:
WATERPROOF CONNECTOR RATING IS IP67
THEY CAN NOT BE USED PERMANENTLY UNDER WATER
PER ISO-20653, IEC60529

CONNECTOR ELECTRICAL CHARACTER
RATING VOLTAGE: SEE TABLE
INSULATION RESISTANCE: >100MΩ
RATING CURRENT: SEE TABLE
CONTACT RESISTANCE OF CONNECTOR <10mΩ
MECHANICAL CHARACTERISTICS: MATING/CYCLE >100 CYCLE
OPERATING TEMPERATURE: -25°C ~ +85°C

OTHER SPECIFICATION
CONTACT PIN: PHOSPHOR BRONZE GOLD-PLATED 1u"
COUPLING NUT/SCREW: BRASS NICKEL PLATED
CONTACT BODY MATERIAL: TPU BLACK
INSULATION PLASTIC: PA66+GF UL94 V-0

CONDUCTOR INSTALLATION METHOD: LOCK SCREW
TORQUE : 0.8 Nm (7/8" PLUG-IN CONNECTOR) / 0.4 Nm (SCREW TERMINAL)
CROSS-SECTIONAL AREA: MAX 1.5mm²
1 Nm ... 1.4 Nm (FASTENING NUT)

*ALL MATERIALS ARE ROHS COMPLIANT



Electrical character

Part Number	Contacts	Rated voltage		Rated current	Cable OD (mm)
		A/C	D/C		
780005-02-002		300V	300V	9A	6.0~12.0
780004-02-002		300V	300V	9A	6.0~12.0
780003-02-002		300V	300V	12A	6.0~12.0

 Shenzhen Signal Electronics co.,Ltd		TITLE 7/8" *P/F ASSEMBLY CONNECTOR 90 DEG	
		SGN NO SEE TABLE	REV. SO
DRAWN BY	DATE	DWG NO	CUSTOMER
CHECKED BY	DATE	TOLERANCES ARE:	
CHECKED BY	DATE	DECIMALES	ANGLES
APPROVED BY	DATE	.x ±0.50	x.' ±2.0'
<small>THE INFORMATION CONTAINED IN THIS DRAWING IS THE SOLE PROPERTY OF SIGNAL COMPANY. ANY REPRODUCTION IN PART OR WHOLE WITHOUT THE WRITTEN PERMISSION OF SIGNAL COMPANY IS PROHIBITED.</small>		.xx ±0.20	.x' ±1.0'
		THIRD ANGLE PROJECTION	SCALE: 1:1
		SIZE: A4	UNITS: mm
		SHEET: 1 OF 1	