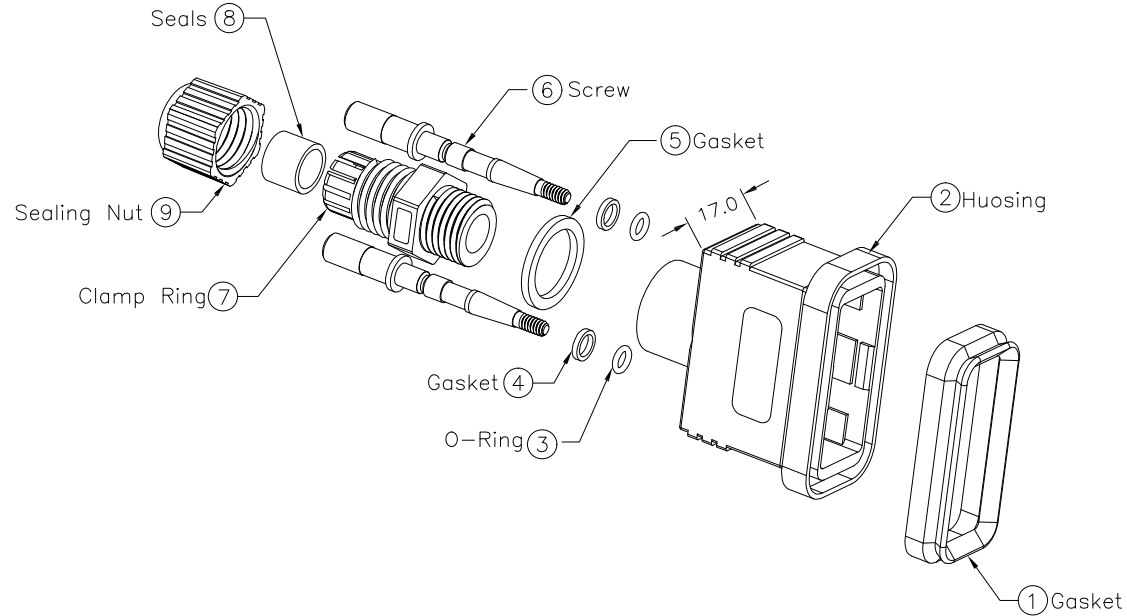
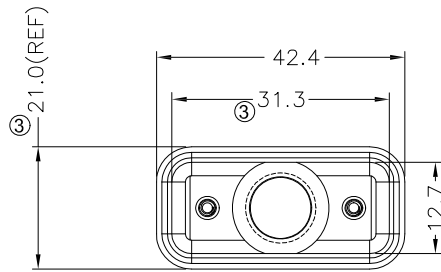
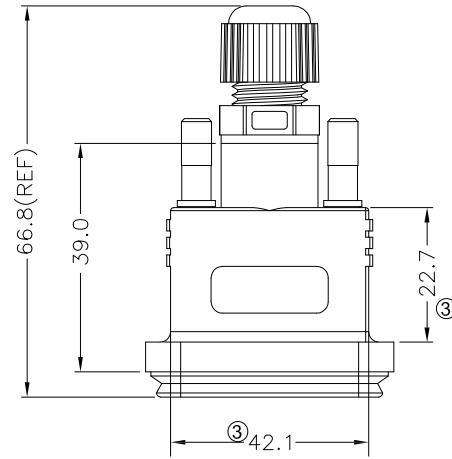


REV	DESCRIPTION	DATE	APPROVED
S0	CREATED DRAWING	2024/08/30	ZCH

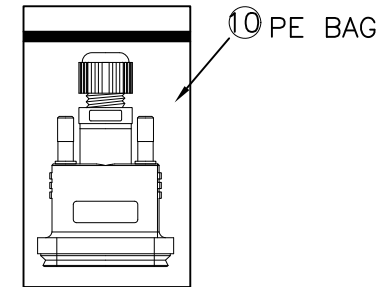


**Notes:**

1. waterproof rate: IP67
2. Seals For Cable OD:  $\varnothing 3.5\text{mm} \sim \varnothing 7.0\text{mm}$ .
3. One Set Unassembled in One PE Bag


**RoHS compliant**

Unit: mm



⑩	N/A	B CODING PE-BAG	1	PCS
⑨	N/A	A CODING SEALING NUT:NYLON,BLACK	1	PCS
⑧	N/A	SEALS FOR CABLE OD: $\varnothing 3.5\text{MM} \sim \varnothing 7.0\text{MM}$	1	PCS
⑦	N/A	A CODING BODY:NYLON,BLACK	1	PCS
⑥	N/A	SCREW:BRASS,NICKEL PLATED	2	PCS
⑤	N/A	A CODING GASKET FOR BODY	1	PCS
④	N/A	GASKET FOR SCREW	2	PCS
③	N/A	O-RING:SILICONE,CLEAR	2	PCS
②	N/A	A CODING HOUSING:ABS,BLACK	1	PCS
①	N/A	A CODING GASKET FOR HOUSING	1	PCS

ITEM	PART NO.	SPECIFICATION	Q'TY	UNIT
------	----------	---------------	------	------



**SIGNAL**<sup>®</sup>

Shenzhen Signal Electronics Co., LTD

**TITLE** DB/HDB 9/15 M/F  
PLASTIC ASSEMBLY TYPE

**SGN NO** 910000-00-001

**DWG NO**

**CUSTOMER**

<b>DRAWN BY</b>	<b>DATE</b>	<b>REVISION</b>
<b>CHECKED BY</b>	<b>DATE</b>	
<b>APPROVED BY</b>	<b>DATE</b>	<b>REV.</b> S0

<b>TOLERANCES ARE:</b>	<b>THIRD ANGLE PROJECTION</b>
DECIMALES .x ±0.5	ANGLES x.' ±2.0'
.xx ±0.20	.x' ±1.0'
<b>SIZE:</b> A4	<b>UNITS:</b> mm
<b>SCALE:</b>	<b>SHEET:</b> 1 OF 1

THE INFORMATION CONTAINED IN THIS DRAWING IS THE SOLE PROPERTY OF SIGNAL COMPANY. ANY REPRODUCTION IN PART OR WHOLE WITHOUT THE WRITTEN PERMISSION OF SIGNAL COMPANY IS PROHIBITED.