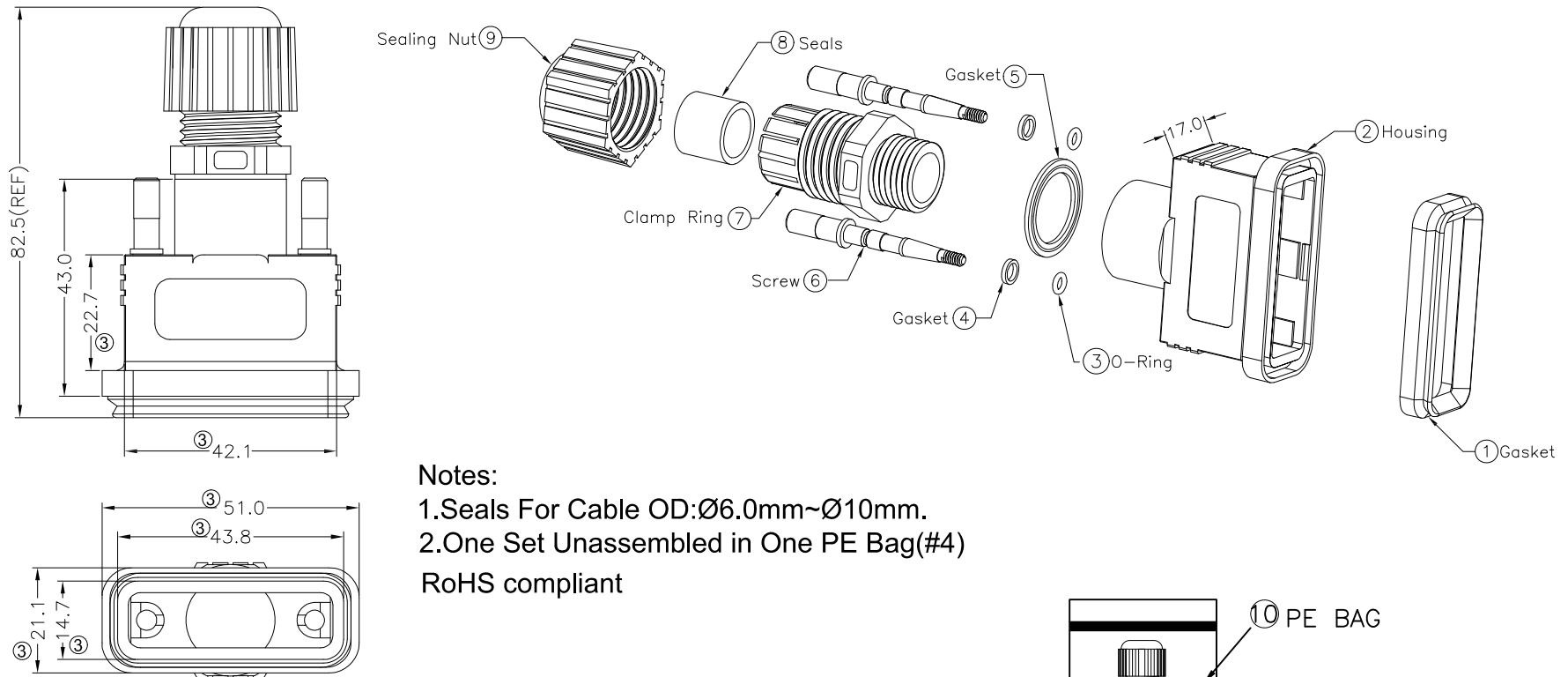
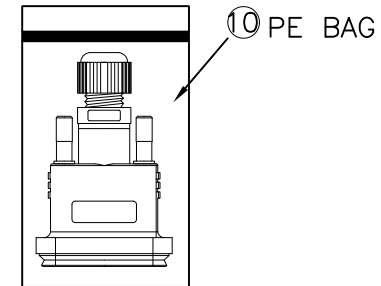


| REV | DESCRIPTION | DATE | APPROVED |
|-----|-----------------|------------|----------|
| S0 | CREATED DRAWING | 2024/08/30 | ZCH |



Notes:
 1. Seals For Cable OD: $\varnothing 6.0\text{mm} \sim \varnothing 10\text{mm}$.
 2. One Set Unassembled in One PE Bag (#4)
 RoHS compliant



| | | | | |
|---|-----|---|---|-----|
| ⑩ | N/A | B CODING PE-BAG | 1 | PCS |
| ⑨ | N/A | B CODING SEALING NUT: NYLON, BLACK | 1 | PCS |
| ⑧ | N/A | SEALS FOR CABLE OD: $\varnothing 6.0\text{MM} \sim \varnothing 10.0\text{MM}$. | 1 | PCS |
| ⑦ | N/A | B CODING BODY: NYLON, BLACK | 1 | PCS |
| ⑥ | N/A | SCREW: BRASS, NICKEL PLATED | 2 | PCS |
| ⑤ | N/A | B CODING GASKET FOR BODY | 1 | PCS |
| ④ | N/A | GASKET FOR SCREW | 2 | PCS |
| ③ | N/A | O-RING: SILICONE, CLEAR | 2 | PCS |
| ② | N/A | B CODING HOUSING: ABS, BLACK | 1 | PCS |
| ① | N/A | B CODING GASKET FOR HOUSING | 1 | PCS |

| ITEM | PART NO. | SPECIFICATION | Q'TY | UNIT |
|------|----------|---------------|------|------|
|------|----------|---------------|------|------|

SIGNAL[®]
 Shenzhen Signal Electronics Co., LTD

TITLE DB/HDB 15/26 M/F PLASTIC ASSEMBLY TYPE

SGN NO 910000-00-002 **REV.**

DRAWN BY **DATE** **DWG NO**

CHECKED BY **DATE** **CUSTOMER** SO

APPROVED BY **DATE**

TOLERANCES ARE:

| DECIMALES | ANGLES | THIRD ANGLE PROJECTION |
|-----------|-----------|------------------------|
| .x ±0.5 | x.' ±2.0' | |
| .xx ±0.20 | .x' ±1.0' | |

SCALE: **UNITS:** mm **SHEET:** 1 OF 1

THE INFORMATION CONTAINED IN THIS DRAWING IS THE SOLE PROPERTY OF SIGNAL COMPANY. ANY REPRODUCTION IN PART OR WHOLE WITHOUT THE WRITTEN PERMISSION OF SIGNAL COMPANY IS PROHIBITED.