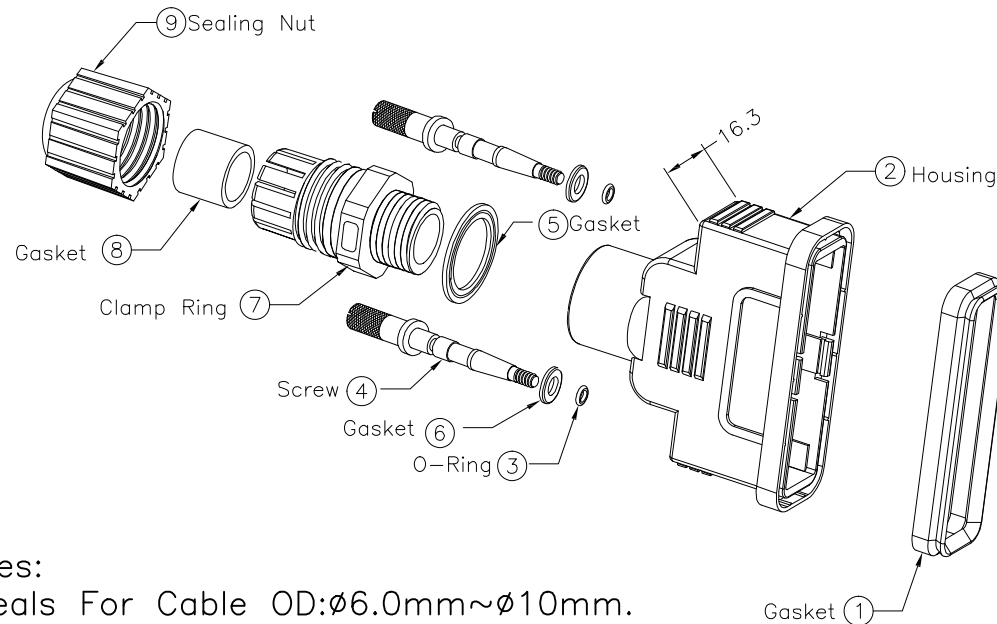
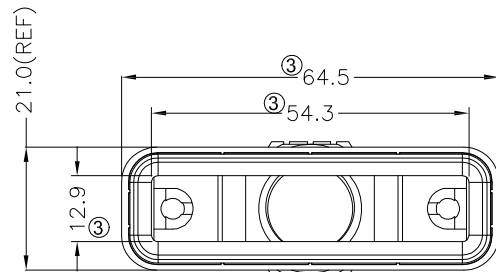
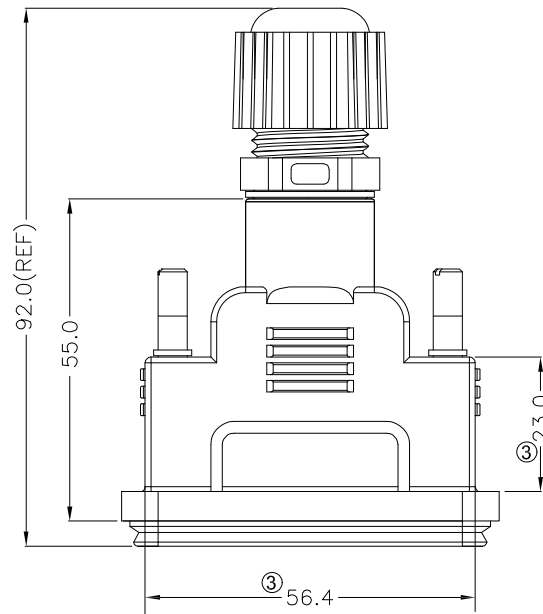
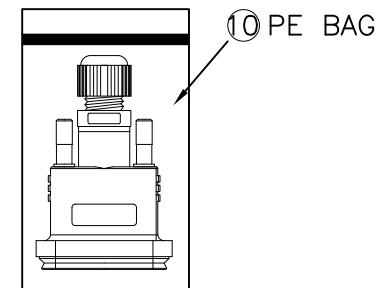


REV	DESCRIPTION	DATE	APPROVED
S0	CREATED DRAWING	2023/12/08	CYF




Notes:
 1. Seals For Cable OD: $\phi 6.0\text{mm} \sim \phi 10\text{mm}$.
 2. One Set Unassembled in One PE Bag
 RoHS compliant



⑩	N/A	B CODING PE-BAG	1	PCS
⑨	N/A	C CODING SEALING NUT: NYLON, BLACK	1	PCS
⑧	N/A	SEALS FOR CABLE OD: $\phi 6.0\text{MM} \sim \phi 10.0\text{MM}$.	1	PCS
⑦	N/A	C CODING BODY: NYLON, BLACK	1	PCS
⑥	N/A	C CODING GASKET FOR BODY	2	PCS
⑤	N/A	GASKET FOR SCREW	1	PCS
④	N/A	SCREW: BRASS, NICKEL PLATED $\phi 5.2 * 46.3\text{mm}$	2	PCS
③	N/A	O-RING: SILICONE, CLEAR	2	PCS
②	N/A	C CODING HOUSING: ABS, BLACK	1	PCS
①	N/A	C CODING GASKET FOR HOUSING	1	PCS

ITEM	PART NO.	SPECIFICATION	Q'TY	UNIT
------	----------	---------------	------	------

 Shenzhen Signal Electronics co., Ltd		TITLE	
		DB/HDB 25/44 M/F PLASTIC ASSEMBLY TYPE	
DRAWN BY	DATE	SGN NO	910000-00-003
CHECKED BY	DATE	DWG NO	
CHECKED BY	DATE	CUSTOMER	
APPROVED BY	DATE	TOLERANCES ARE:	THIRD ANGLE PROJECTION
<small>THE INFORMATION CONTAINED IN THIS DRAWING IS THE SOLE PROPERTY OF SIGNAL COMPANY. ANY REPRODUCTION IN PART OR WHOLE WITHOUT THE WRITTEN PERMISSION OF SIGNAL COMPANY IS PROHIBITED.</small>		DECIMALES	ANGLES
		.x ± 0.5	x.' $\pm 2.0'$
		.xx ± 0.20	.x' $\pm 1.0'$
		SCALE:	UNITS: mm
			SHEET: