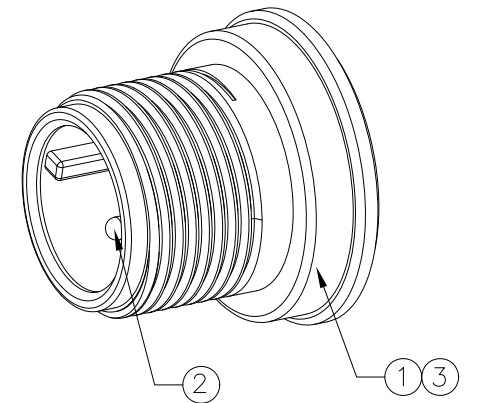
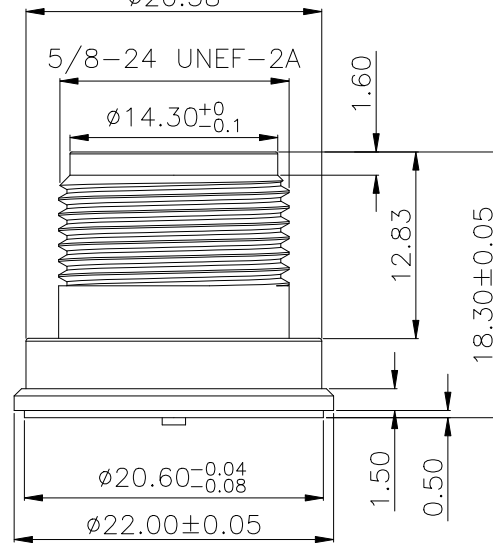
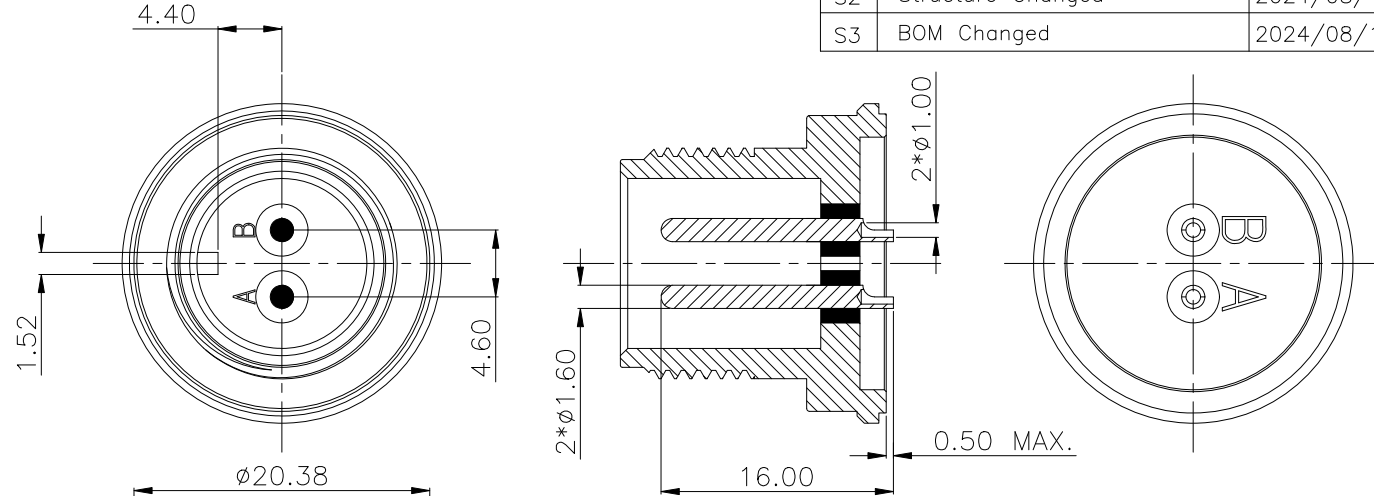


PROJECT NO:

REV	DESCRIPTION	DATE	APPROVED
S0	CREATED DRAWING	2024/07/18	ZCH
S2	Structure Changed	2024/08/13	LY
S3	BOM Changed	2024/08/16	LY



Detailed Product Description:
 Waterproof Connector Rating Is IP67
 Connector Electrical Character
 Rating Voltage: 300V AC/DC
 Rating Current : 5A
 Hi-pot Test : 1000V AC/DC, 60s
 Insulation Resistance: >1000M ohms
 Contact Resistance Of Connector ≤10m ohms
 Mechanical Characteristics:
 Mating / Cycle >500 Cycles
 Operating Temperature: -55°C ~ +125°C
 Helium Leak Less Than 1*10⁻⁸ mbar.l/s At 1 ATM
 All Materials Are RoHS Compliant.

ITEM	PART NO.	SPECIFICATION	Q'TY	UNIT
③	N/A	FILLER, GLASS SINTERING AND GLASS SEALING (CORNING9013 OR EQ.)	2	PCS
②	N/A	CONTACT, 4J50 ALLOY, Ag 0.3~0.5μm PLATED OVER NICKEL Δ_{S3}	2	PCS
①	N/A	SHELL, STAINLESS STEEL SUS304 (DIE-CASTING) Δ_{S3}	1	PCS

SIGNAL [®] Shenzhen Signal Electronics co., Ltd		TITLE MIL-C-5015系列不锈钢2芯公头面板插座	
		SGN NO 940002-03-003	REV. S3
DRAWING BY	DATE	CUSTOMER	
CHECKED BY	DATE	TOLERANCES ARE:	
CHECKED BY	DATE	DECIMALES	ANGLES
APPROVED BY	DATE	.x ±0.5	x.' ±2.0'
THE INFORMATION CONTAINED IN THIS DRAWING IS THE SOLE PROPERTY OF SIGNAL COMPANY. ANY REPRODUCTION IN PART OR WHOLE WITHOUT THE WRITTEN PERMISSION OF SIGNAL COMPANY IS PROHIBITED.		.xx ±0.20	.x' ±1.0'
		THIRD ANGLE PROJECTION	SIZE: A4 UNITS: mm
		SCALE: 1:1	SHEET: 1 OF 1