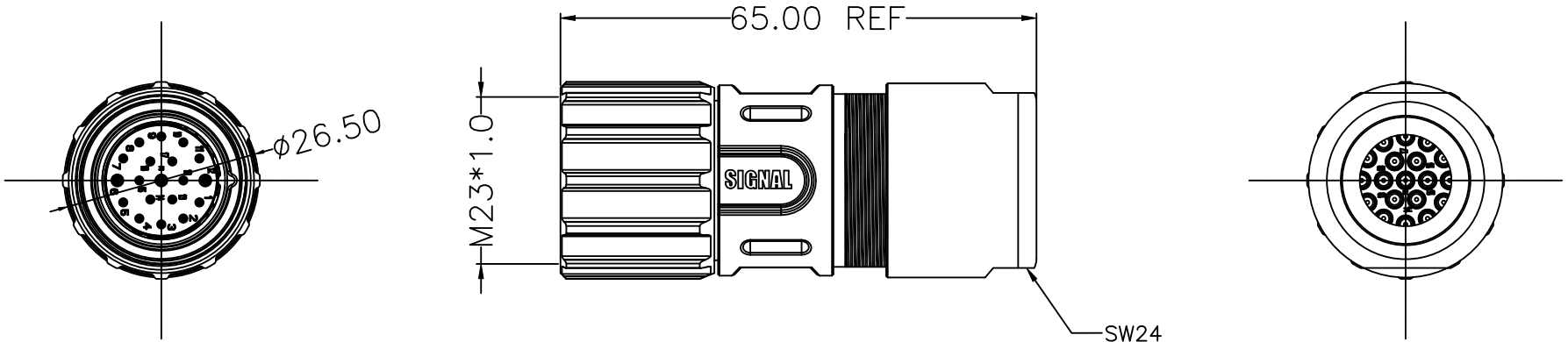


A B C D E F G H I J

REV	DESCRIPTION	DATE	APPROVED
S0	CREATED DRAWING	2020/08/16	ZK

1
2
3
4
5
6
7
8

1
2
3
4
5
6
7
8



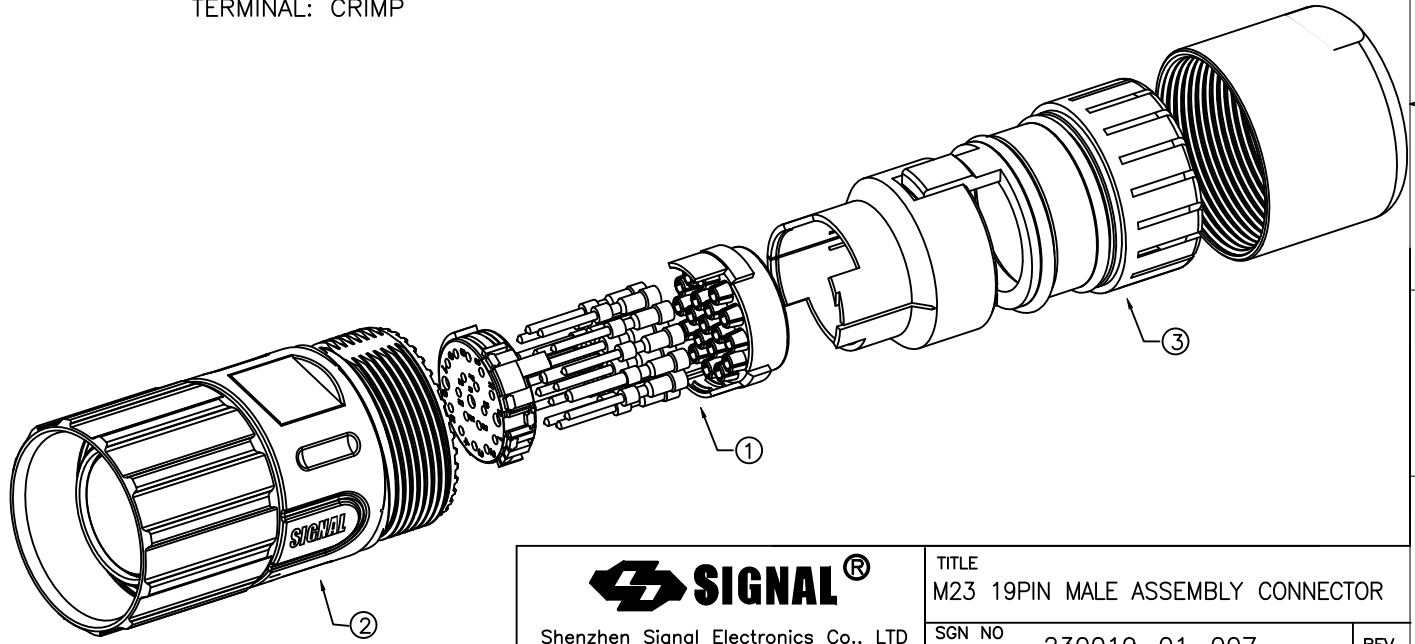
TERMINAL: CRIMP

SW24


Electrical character
 Rating voltage: 150V AC/DC
 Insulation resistance: >100M Ω
 Rating current: 16*3A+3*10A
 Contact resistance: $\leq 5m\Omega$

Other Specification
 Contact Pin: Brass with gold-plated
 Insulation plastic: PA66
 Shell: kirsite
 Protection degree: IP69K
 Operating temperature: $-25^{\circ}C \sim +85^{\circ}C$

*ALL MATERIALS ARE RoHS COMPLIANT.



ITEM	PART NO.	SPECIFICATION	Q'TY	UNIT
③	N/A	M23 TAIL WATERPROOF PARTS	1	SET
②	N/A	M23 ASSEMBLY SHELL	1	SET
①	N/A	M23 MALE CONNECTOR	1	SET



SIGNAL[®]
Shenzhen Signal Electronics Co., LTD

DRAWN BY		DATE	TITLE M23 19PIN MALE ASSEMBLY CONNECTOR
CHECKED BY		DATE	
CHECKED BY		DATE	SGN NO 230019-01-007
APPROVED BY		DATE	REV. S0
DWG NO		CUSTOMER	

TOLERANCES ARE:		THIRD ANGLE PROJECTION	
DECIMALES	ANGLES	SIZE: A4	UNITS: mm
.x ± 0.5	x' $\pm 2.0'$	SCALE:	SHEET: 1 OF 1
.xx ± 0.20	.x' $\pm 1.0'$		

THE INFORMATION CONTAINED IN THIS DRAWING IS THE SOLE PROPERTY OF SIGNAL COMPANY. ANY REPRODUCTION IN PART OR WHOLE WITHOUT THE WRITTEN PERMISSION OF SIGNAL COMPANY IS PROHIBITED.

A B C D E F G H I J