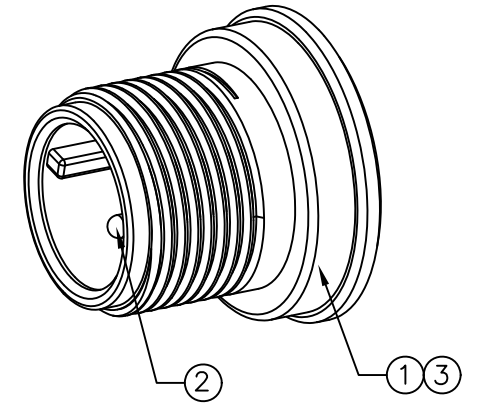
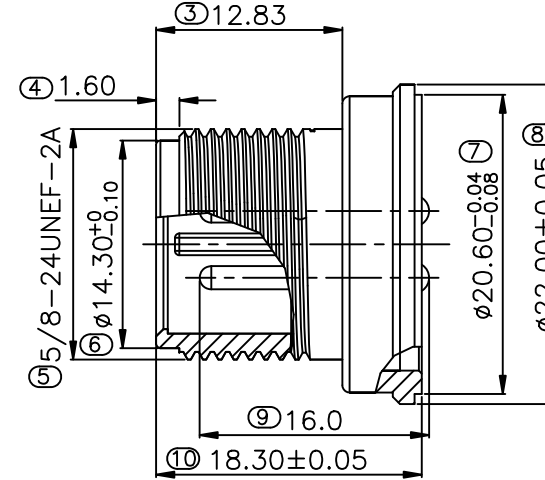
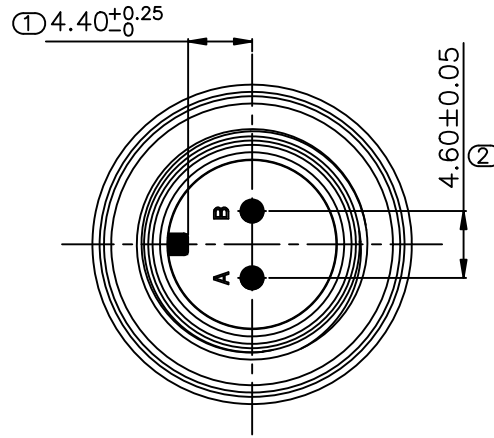


PROJECT NO:

REV	DESCRIPTION	DATE	APPROVED
S0	CREATED DRAWING	2024/07/18	ZCH



Detailed Product Description:
 Waterproof Connector Rating Is IP67
 Connector Electrical Character
 Rating Voltage: 300V AC/DC ,
 Rating Current : 5A
 Insulation Resistance: >1000M ohms
 Contact Resistance Of Connector ≤10m ohms
 Mechanical Characteristics:
 Mating / Cycle >500 Cycles
 Operating Temperature: -55°C ~ +125°C
 All Materials Are RoHS Compliant.

ITEM	PART NO.	SPECIFICATION	Q'TY	UNIT
③	N/A	FILLER, GLASS SINTERING AND GLASS SEALING	1	PCS
②	N/A	CONTACT, BRASS, GOLD FLASH PLATED OVER NICKEL	2	PCS
①	N/A	SHELL, STAINLESS STEEL SUS304	1	PCS

SIGNAL® Shenzhen Signal Electronics co.,Ltd		TITLE MIL-C-5015 2P/M HERMETIC CONNECTOR	
		SGN NO 940002-03-004	REV. SO
DRAWING BY	DATE	DWG NO	
CHECKED BY	DATE	CUSTOMER	
CHECKED BY	DATE	TOLERANCES ARE:	
APPROVED BY	DATE	DECIMALES	ANGLES
<small>THE INFORMATION CONTAINED IN THIS DRAWING IS THE SOLE PROPERTY OF SIGNAL COMPANY. ANY REPRODUCTION IN PART OR WHOLE WITHOUT THE WRITTEN PERMISSION OF SIGNAL COMPANY IS PROHIBITED.</small>		.x ±0.5	x.' ±2.0°
		.xx ±0.20	.x' ±1.0°
		THIRD ANGLE PROJECTION	
		SIZE: A4	UNITS: mm
		SCALE: 1:1	SHEET: 1 OF 1