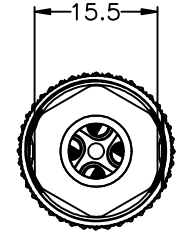
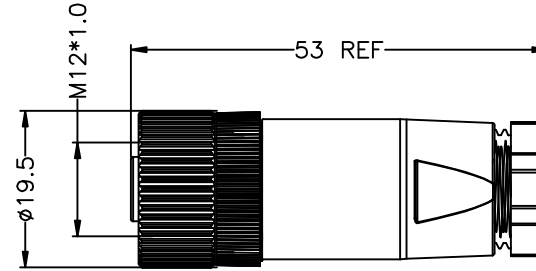
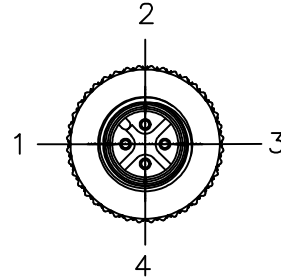


PROJECT NO:	REV	DESCRIPTION	DATE	APPROVED
	S0	CREATED DRAWING	2021/12/21	ZK

Electrical character

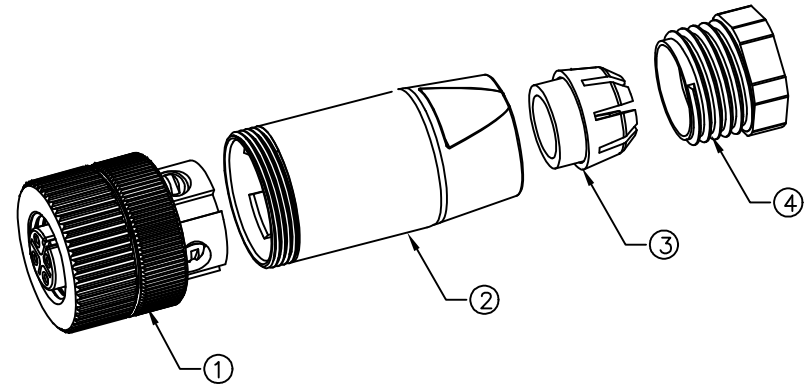
Rated voltage	
Rated current	
Mechanical characteristics (mating cycle)	>100
Degree of protection (ISO-20653,IEC60529)	IP67
Operating temperature (depending on cable quality)	-25°C ~ +85°C
Destructive withstand force between connector and overmold exceeds	**kgf
Tightening torque (range)	0.4~1.8Nm
Pollution degree	3
ALL MATERIALS ARE RoHS COMPLIANT	



PLASTIC

Electrical character

Part Number	Contacts	Rated voltage		Rated current	Contact Resistance	Cable OD (mm)
		A/C	D/C			
120103-02-002		250V	250V	4A	10mΩ	6~8
120104-02-002		250V	250V	4A	10mΩ	6~8
120404-02-002		250V	250V	4A	10mΩ	6~8
120205-02-007		60V	60V	4A	10mΩ	6~8
120105-02-002		60V	60V	4A	10mΩ	6~8
120108-02-002		30V	30V	2A	10mΩ	6~8



④	YDNU0081	TAIL PLASTIC NUT	1	PCS
③	N/A	PG9 WATERPROOF HOSE	1	SET
②	CN01071	M12 PALSTIC ASSEMBLY SHELL	1	PCS
①	N/A	M12 A CODING FEMALE CONNECTOR	1	SET
ITEM	PART NO.	SPECIFICATION	Q'TY	UNIT

SIGNAL[®]
ShenZhen Signal Electronics co.,Ltd

TITLE M12 A/F PLASTIC ASSEMBLY CONNECTOR(PG9)

SGN NO SEE TABLE
DWG NO
CUSTOMER

REV. S0

TOLERANCES ARE:
DECIMALES ANGLES
.x ±0.5 x.' ±2.0'
.xx ±0.20 .x' ±1.0'

THIRD ANGLE PROJECTION

SIZE: A4 UNITS: mm
SCALE: SHEET: 1 OF 1

THE INFORMATION CONTAINED IN THIS DRAWING IS THE SOLE PROPERTY OF SIGNAL COMPANY. ANY REPRODUCTION IN PART OR WHOLE WITHOUT THE WRITTEN PERMISSION OF SIGNAL COMPANY IS PROHIBITED.