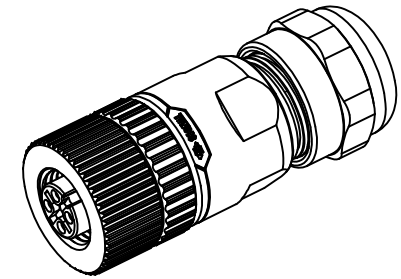
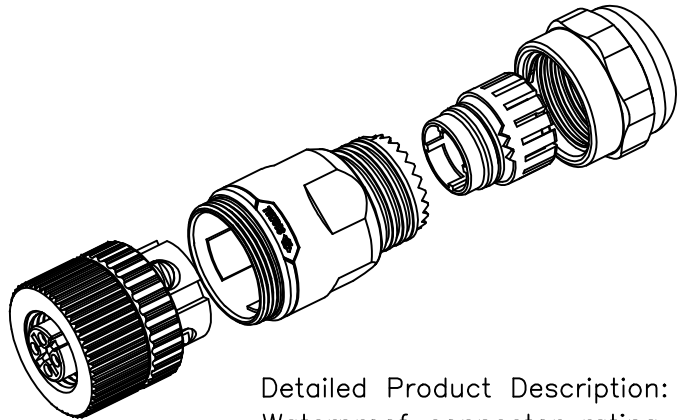


REV	DESCRIPTION	DATE	APPROVED
A0	CREATED DRAWING	2015/11/03	ZERA

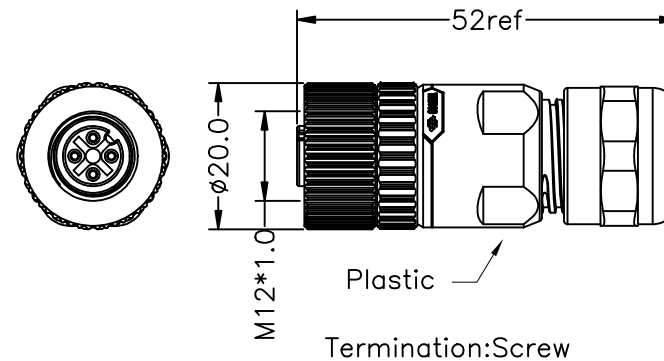


Detailed Product Description:  
 Waterproof connector rating is IP67/IP68  
 Protected from dust and water during immersion,  
 resistant to many oils and chemical etc

Other Specification  
 Contact PIN: Phosphor bronze with Gold plating.  
 Coupling nut/screw: 6061-t6 aluminum  
 Insulation plastic: PA66+GF  
 Degree of protection: IP67/IP68  
 Operating temperature: -25° ~ +85°

According to IEC61076-1-101

\*ALL MATERIALS ARE RoHS COMPLIANT.



Electrical character

Part Number	Contacts	Rated voltage		Rated current	Contact Resistance	Cable OD (mm)
		A/C	D/C			
120103-02-022		250V	250V	4A	10mΩ	3~8
120104-02-022		250V	250V	4A	10mΩ	3~8
120105-02-022		60V	60V	4A	10mΩ	3~8
120108-02-022		30V	30V	2A	10mΩ	3~8

**SIGNAL**<sup>®</sup>  
 Shenzhen Signal Electronics Co., LTD

DRAWN BY		DATE	TITLE	M12 ASSEMBLY FEMALE CONNECTOR(PLASTIC)
CHECKED BY		DATE	SGN NO	SEE TABLE
CHECKED BY		DATE	DWG NO	AS12AF03~08009
APPROVED BY		DATE	CUSTOMER	
<small>THE INFORMATION CONTAINED IN THIS DRAWING IS THE SOLE PROPERTY OF SIGNAL COMPANY. ANY REPRODUCTION IN PART OR WHOLE WITHOUT THE WRITTEN PERMISSION OF SIGNAL COMPANY IS PROHIBITED.</small>		TOLERANCES ARE: DECIMALES    ANGLES .x ±0.5        x.' ±2.0' .xx ±0.20     .x' ±1.0'		THIRD ANGLE PROJECTION 
			SIZE: A4	UNITS: mm
			SCALE:	SHEET: 1 OF 1