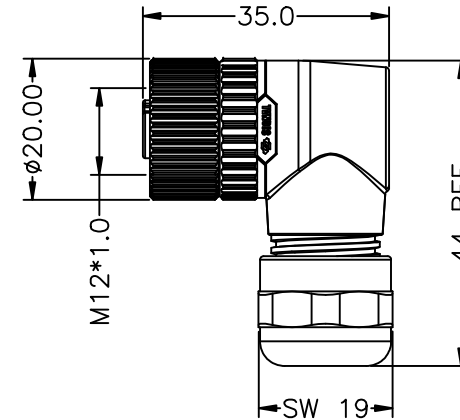
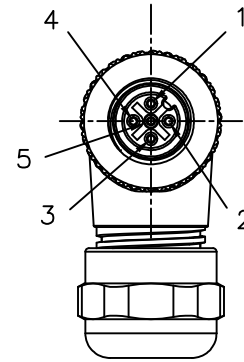


REV	DESCRIPTION	DATE	APPROVED
S0	CREATED DRAWING	2020/05/11	ZK
S1	ADD CONFORMITY CRITERIA	2024/04/19	CBT

Detailed Product Description:
 Waterproof connector rating is IP67
 They can not be used permanently under water
 Per ISO-20653,IEC60529

Mechanical characteristics: mating / cycle >100cycle
 Operating temperature: -25°C ~ +85°C
 Meets IEC 61076-2-101 Δ SI

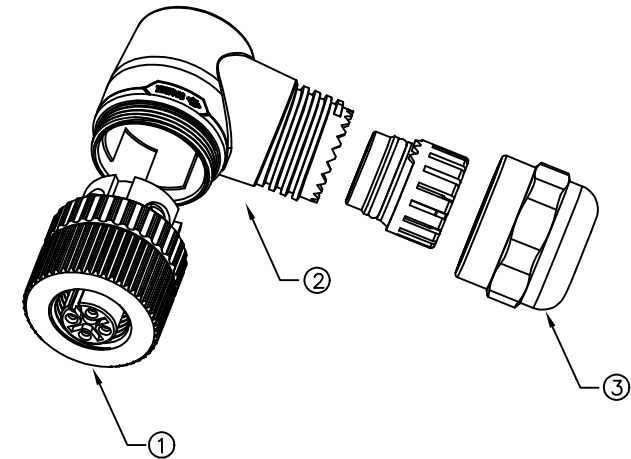
ALL MATERIALS ARE RoHS COMPLIANT



Electrical character

Part Number	Contacts	Rated voltage		Rated current	Contact Resistance	Cable OD (mm)
		A/C	D/C			
120103-02-027		250V	250V	4A	10mΩ	4~8
120104-02-031		250V	250V	4A	10mΩ	4~8
120404-02-028		250V	250V	4A	10mΩ	4~8
120205-02-027		60V	60V	4A	10mΩ	4~8
120105-02-031		60V	60V	4A	10mΩ	4~8
120108-02-029		30V	30V	2A	10mΩ	4~8

Termination:Screw



③	N/A	M12 TAIL WATERPROOF PARTS	1	SET
②	N/A	M12 ASSEMBLY SHELL	1	SET
①	N/A	M12 FEMALE CONNECTOR	1	SET
ITEM	PART NO.	SPECIFICATION	Q'TY	UNIT

DRAWN BY		DATE	TITLE	
CHECKED BY		DATE	M12 FEMALE METAL ASSEMBLY CONNECTOR	
CHECKED BY		DATE	SGN NO	120103~08-02-0XX
APPROVED BY		DATE	DWG NO	
			CUSTOMER	S1
			TOLERANCES ARE:	THIRD ANGLE PROJECTION
			DECIMALES	ANGLES
			.x ±0.5	x.' ±2.0'
			.xx ±0.20	.x' ±1.0'
			SIZE: A4	UNITS: mm
			SCALE:	SHEET: 1 OF 1