

PROJECT NO:
XXX

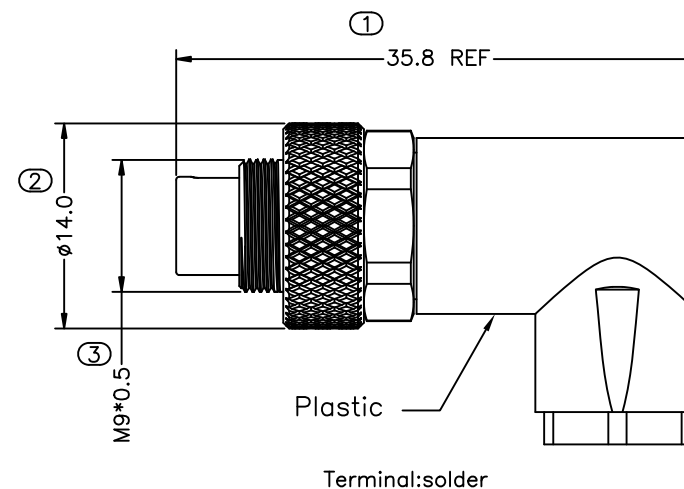
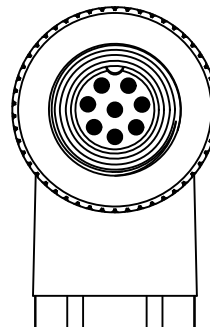
REV	DESCRIPTION	DATE	APPROVED
S0	CREATED DRAWING	2019/03/28	LXQ

DETAILED PRODUCT DESCRIPTION:
WATERPROOF CONNECTOR RATING IS IP67
THEY CAN NOT BE USED PERMANENTLY UNDER WATER
PER ISO-20653, IEC60529

ELECTRICAL PROPERTIES AT +20°C
RATING VOLTAGE: SEE TABLE
INSULATION RESISTANCE: >100MΩ
RATING CURRENT: SEE TABLE
CONTACT RESISTANCE OF CONNECTOR ≤10mΩ
MECHANICAL CHARACTERISTICS: MATING CYCLE >100 CYCLES
OPERATING TEMPERATURE: -25°C ~ +85°C
TIGHTENING TORQUE (RANGE) 0.2~0.4NM

OTHER SPECIFICATION
CONTACT PIN: BRASS GOLD-PLATED 1u"
COUPLING SCREW: BRASS NICKEL PLATED
CONTACT BODY MATERIAL: PA66+GF BLACK UL94 V-0
INSULATION PLASTIC: PA66+GF BLACK UL94 V-0

ALL MATERIALS ARE ROHS COMPLIANT



ELECTRICAL CHARACTER:

SGN NO	Contacts	Rated voltage		Rated current	Cable OD(mm)
		AC	DC		
090002-01-003		125V	125V	4A	3~5.5
090003-01-003		125V	125V	4A	3~5.5
090004-01-005		125V	125V	3A	3~5.5
090005-01-003		125V	125V	3A	3~5.5
090007-01-003		125V	125V	1A	3~5.5
090008-01-002		125V	125V	1A	3~5.5

SIGNAL [®] Shenzhen Signal Electronics co.,Ltd		TITLE M9 MALE ASSEMBLY CONNECTOR 90 DEG	
		SGN NO SEE TABLE	REV. S0
DRAWN BY	DATE	DWG NO	CUSTOMER
CHECKED BY	DATE	APPROVED BY	DATE
TOLERANCES ARE:		THIRD ANGLE PROJECTION	
DECIMALES	ANGLES	SIZE: A4	UNITS: mm
.x ±0.50	x.' ±2.0'	SCALE: 1:1	SHEET:1 OF 1
.xx ±0.20	.x' ±1.0'		