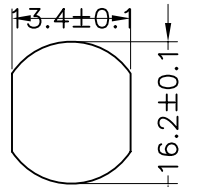
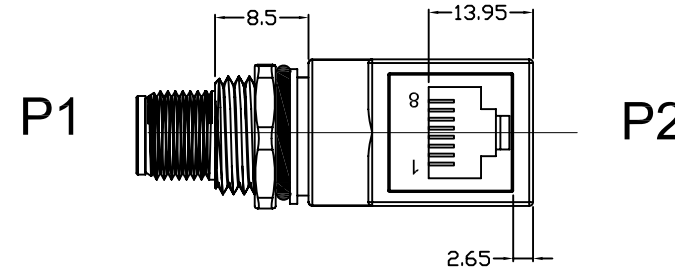


PROJECT NO:
SGNYD1709001

REV	DESCRIPTION	DATE	APPROVED
S0	CREATED DRAWING	2017/09/06	YMX
S1	CREATED DRAWING	2019/07/04	YMX

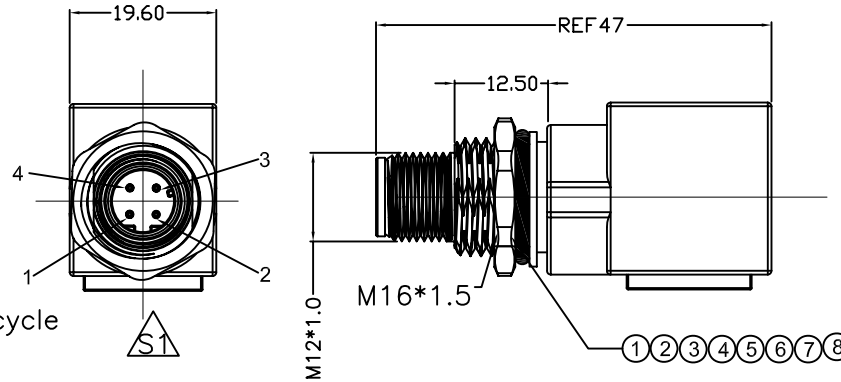


Recommended
Panel Cut-Off



Detailed Product Description:
Waterproof connector rating is IP67
They can not be used permanently under water.

Connector Electrical character
Rating voltage:250V DC ,
Insulation resistance: >100MΩ
Rating current :4A
Contact resistance of connector ≤10mΩ
Mechanical characteristics: mating / cycle >500 cycle
Operating temperature: -25°C ~ +85°




*ALL MATERIALS ARE RoHS COMPLIANT.

WIRE LIST

P1	COLOR	P2
1	ORANGE/WHITE	1
3	BLUE/WHITE	2
2	ORANGE	3
4	BLUE	6
SHELL	BLACK	SHELL

ITEM	PART NO.	SPECIFICATION	Q'TY	UNIT
⑧	PL00007	HD PE	3	g
⑦	PL00008	BLACK PVC 30P	10	g
⑥	OR00008	O-Ring GREEN FKMφ13.0*φ2.0mm	1	PCS
⑤	NU00008	M16 Brass plated ni NUT L*W=2.8*19mm	1	PCS
④	WK00195	M12 MALE Brass plated ni front mount M16*1.5 L=20.75mm	1	PCS
③	N/A	M12 D Coding 4pin male connector	1	SET
②	CN00222	RJ45 8P8C STRAIGHT ANGLE WITH SHEILD	1	PCS
①	N/A	24AWG HOOK UP WIRE	1	PCS



SIGNAL®

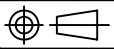
ShenZhen Signal Electronics co.,Ltd

TITLE M12 D CODING 4P/M TO RJ45/F 90° ADAPTER

SGN NO 120404-10-005

DWG NO SPM12SD04005

CUSTOMER

DRAWN BY	DATE	<p>TOLERANCES ARE:</p> <p>DECIMALES ANGLES</p> <p>.x ±0.5 x.' ±2'</p> <p>.xx ±0.2 .x' ±1'</p>	<p>THIRD ANGLE PROJECTION</p> 
CHECKED BY	DATE		
APPROVED BY	DATE		

THE INFORMATION CONTAINED IN THIS DRAWING IS THE SOLE PROPERTY OF SIGNAL COMPANY. ANY REPRODUCTION IN PART OR WHOLE WITHOUT THE WRITTEN PERMISSION OF SIGNAL COMPANY IS PROHIBITED.

SIZE: A4	UNITS: mm
SCALE:	SHEET: 1 OF 1