

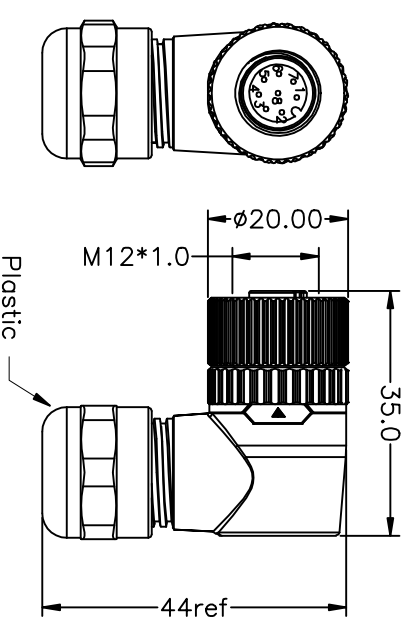
PROJECT NO:
SGNYDXXXXXXX

REV	DESCRIPTION	DATE	APPROVED
S0	CREATED DRAWING	2018/04/27	WANG

Detailed Product Description:
Waterproof connector rating is IP68
They can not be used permanently under water.

Connector Electrical character
Rating voltage: 30V ,
Insulation resistance: >100MΩ
Rating current : 2A
Contact resistance of connector ≤5mΩ
Mechanical characteristics: mating / cycle >100 cycle
Operating temperature: -25°C ~ +85°

*ALL MATERIALS ARE RoHS COMPLIANT.



Termination:Screw

Electrical character

Part Number	Contacts	Rated voltage		Rated current	Contact Resistance	Cable OD (mm)
		A/C	D/C			
ASM12AF08010		30V	30V	2A	10mΩ	6~8



Shenzhen Signal Electronics Co., LTD

DRAWN BY	DATE	TITLE	M12 assembly female angel connector(plastic)
CHECKED BY	DATE	SGN NO	120108-02-024
APPROVED BY	DATE	DWG NO	1401786
<small>THE INFORMATION CONTAINED IN THIS DRAWING IS THE SOLE PROPERTY OF SIGNAL COMPANY. ANY REPRODUCTION IN PART OR AS A WHOLE WITHOUT THE WRITTEN PERMISSION OF SIGNAL COMPANY IS PROHIBITED.</small>		TOLERANCES ARE:	THIRD ANGLE PROJECTION
		DECIMALS: .x ±0.5 .xx ±0.20	ANGLES: .x' ±2.0' .x' ±1.0'
		SIZE: A4	UNITS: mm
		SCALE:	SHEET: 1 OF 1