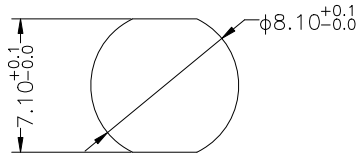
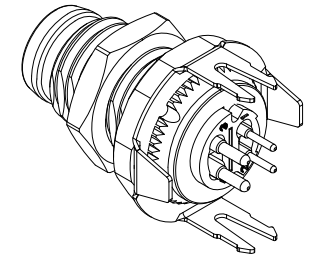
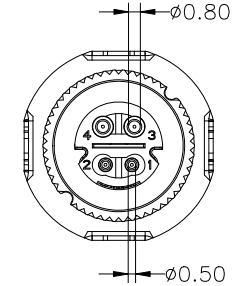
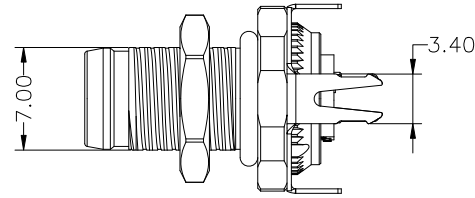
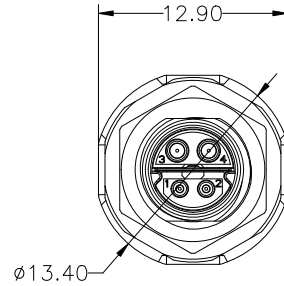


REV	DESCRIPTION	DATE	APPROVED
S0	CREATED DRAWING	2024/11/30	ZHY

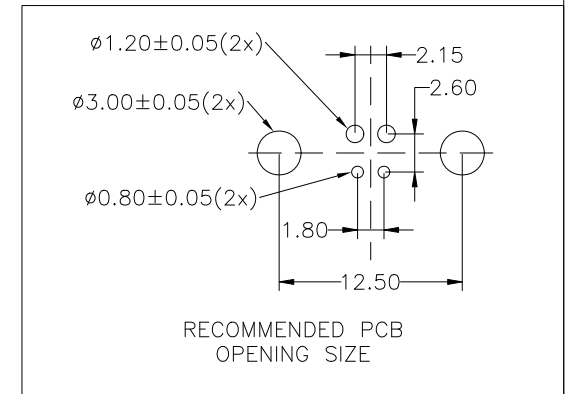
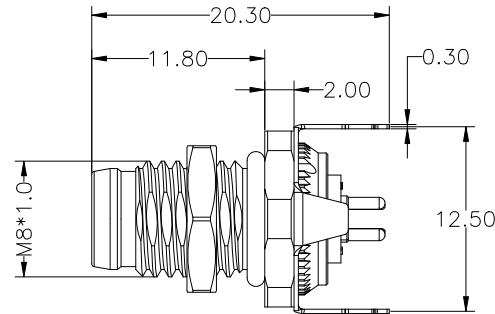


RECOMMENDED PANEL
CUTOUT SIZE



Electrical character

Rated voltage	60V/DC	
Rated current	4A	8A
Mechanical characteristics (mating cycle)	>100	
Degree of protection (ISO-20653,IEC60529)	IP67	
Operating temperature (depending on cable quality)	-25°C ~ +80°C	
Destructive withstand force between connector and overmold exceeds	**kgf	
Tightening torque (range)	0.4~1.8Nm	
Pollution degree	3	
ALL MATERIALS ARE RoHS COMPLIANT		



RECOMMENDED PCB
OPENING SIZE

ITEM	PART NO.	SPECIFICATION	Q'TY	UNIT
④	GL00002	BLACK EPOXY RESIN -50°C~+130°C	2	g
③	N/A	SOCKET LOCATOR	1	PCS
②	N/A	SPE M8 BRASS FRONT LOCKING PANEL MALE HOUSING ASSEMBLY	1	SET
①	N/A	SPE M8 CODING 2+2PIN MALE CONNECTOR	1	SET

DRAWN BY		DATE	TOLERANCES ARE:		THIRD ANGLE PROJECTION	
CHECKED BY		DATE	DECIMALES	ANGLES		
CHECKED BY		DATE	.x ±0.50	x.' ±2.0°		
APPROVED BY		DATE	.xx ±0.20	.x' ±1.0°	SIZE: A4	UNITS: mm
<p style="text-align: center;">SIGNAL® Shenzhen Signal Electronics co.,Ltd</p>			<p style="text-align: center;">TITLE SPE M8 HYBRID,2+2 POLE MALE FACEPLATES</p>		SCALE: 1:1	SHEET: 1 OF 1
DRAWN BY		DATE	<p style="text-align: center;">THE INFORMATION CONTAINED IN THIS DRAWING IS THE SOLE PROPERTY OF SIGNAL COMPANY. ANY REPRODUCTION IN PART OR WHOLE WITHOUT THE WRITTEN PERMISSION OF SIGNAL COMPANY IS PROHIBITED.</p>			
CHECKED BY		DATE	<p style="text-align: center;">REV. 080004-03-001</p>			
CHECKED BY		DATE	<p style="text-align: center;">DWG NO</p>			
APPROVED BY		DATE	<p style="text-align: center;">CUSTOMER</p>			