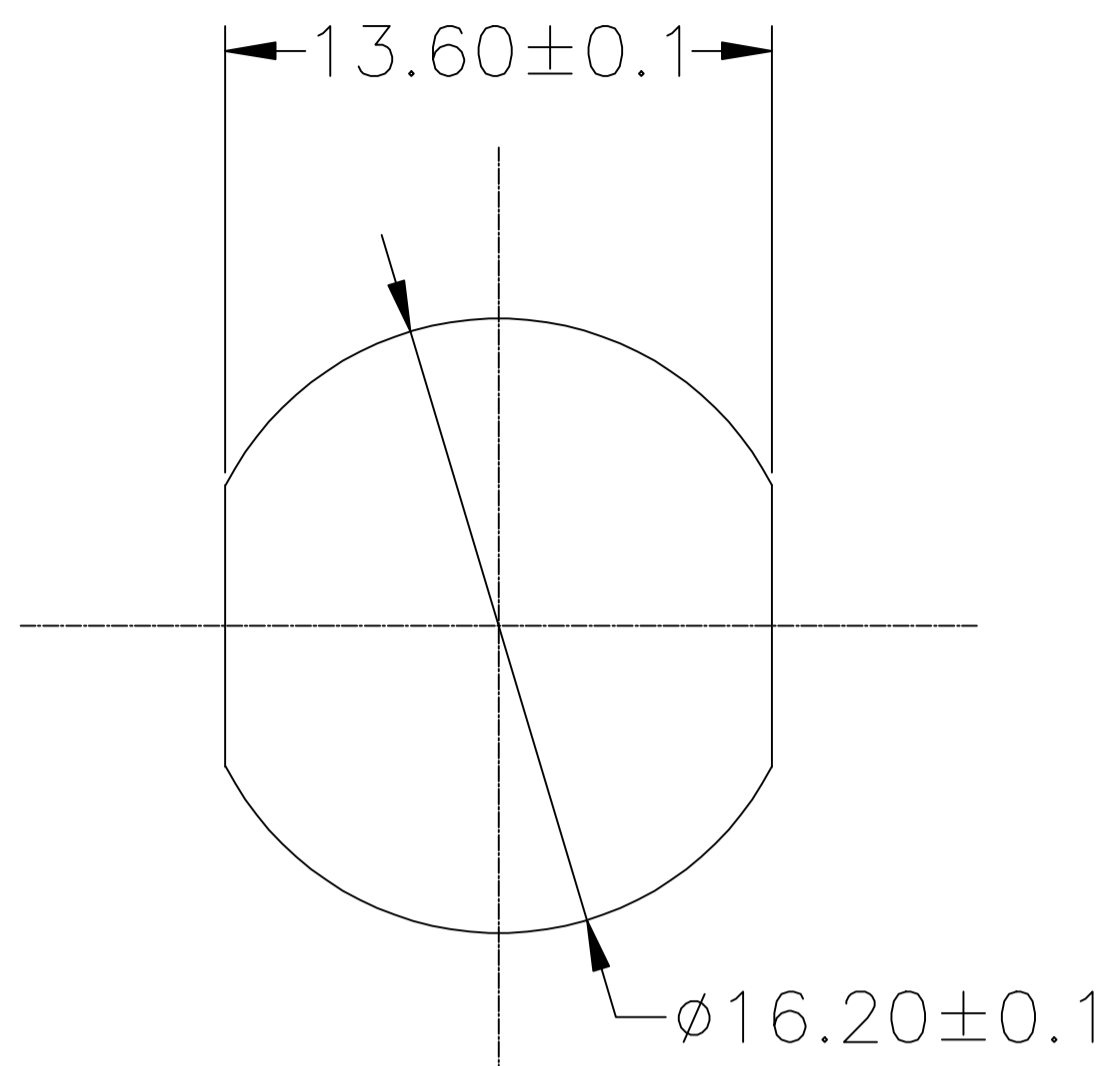
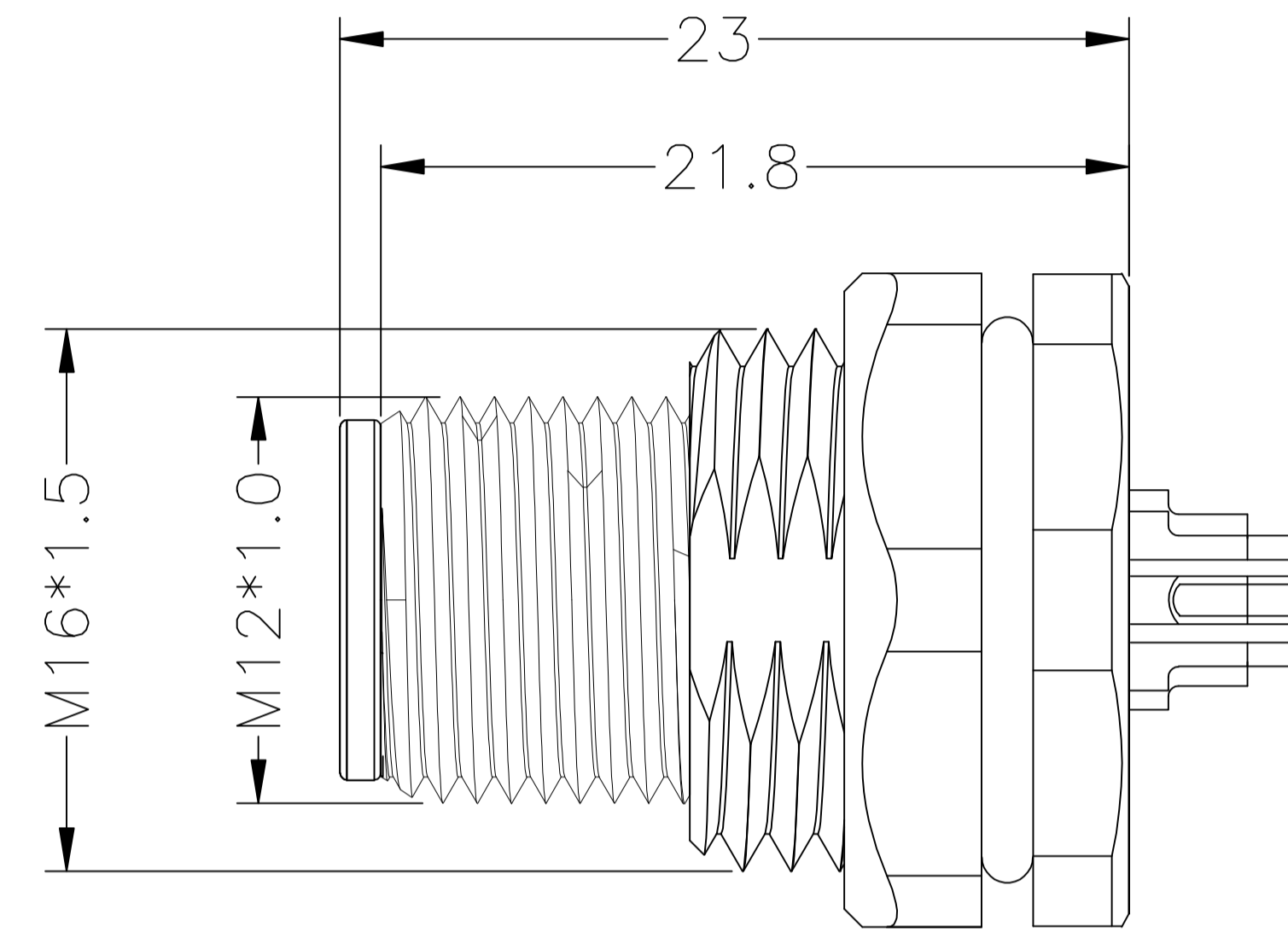
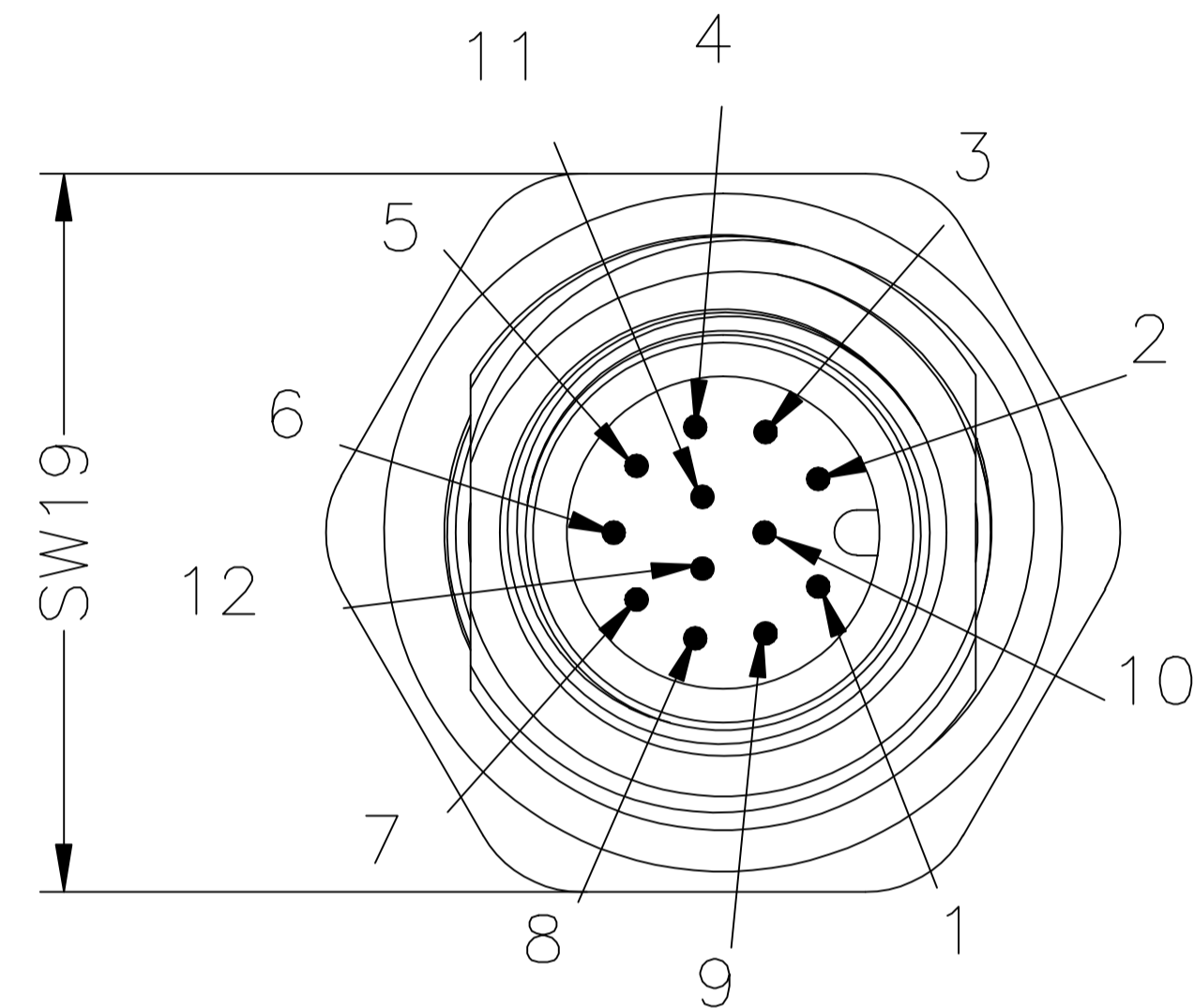


REV	DESCRIPTION	DATE	APPROVED
S0	CREATED DRAWING	2018/12/29	CYF



RECOMMENDED
PANEL CUT-OUT




Detailed Product Description:
Waterproof connector rating is IP68(Behind the lock)
They can not be used permanently under water.

Connector Electrical character
Rating voltage: 30V AC/DC ,
Insulation resistance: >100MΩ
Rating current : 1.5A
Contact resistance of connector ≤10mΩ
Mechanical characteristics: mating / cycle >100 cycle
Operating temperature: -40°C ~ +85°

*ALL MATERIALS ARE RoHS COMPLIANT.

⑤	GL00002	Black glue A/B (ethoxyline resin)	2	G
④	OR00008	O-RING GREEN FKM $\phi 13.0 \times \phi 2.0 \text{mm}$	1	PCS
③	N/A	M16 BRASS PLATED NI L*W=4*19mm	1	PCS
②	N/A	M12 A 12Pin MALE CONNECTOR	1	SET
①	N/A	M12 BRASS WITH NI PLATED,FEMALE FRONT MOUNT M16 L=21.8mm	1	PCS
ITEM	PART NO.	SPECIFICATION	Q'TY	UNIT



SIGNAL®

Shenzhen Signal Electronics Co., LTD

TITLE: M12 A 12P/M FRONT MOUNT(M16) CONNECTOR

SGN NO: 120112-03-006

DWG NO: PMM12FAM12003

CUSTOMER: S0

TOLERANCES ARE:		THIRD ANGLE PROJECTION	
DECIMALES	ANGLES	SIZE:	UNITS: mm
.x ±0.5	x.° ±2.0'	A4	mm
.xx ±0.20	.x.° ±1.0'	SCALE:	SHEET: 1 OF 1

THE INFORMATION CONTAINED IN THIS DRAWING IS THE SOLE PROPERTY OF SIGNAL COMPANY. ANY REPRODUCTION IN PART OR WHOLE WITHOUT THE WRITTEN PERMISSION OF SIGNAL COMPANY IS PROHIBITED.