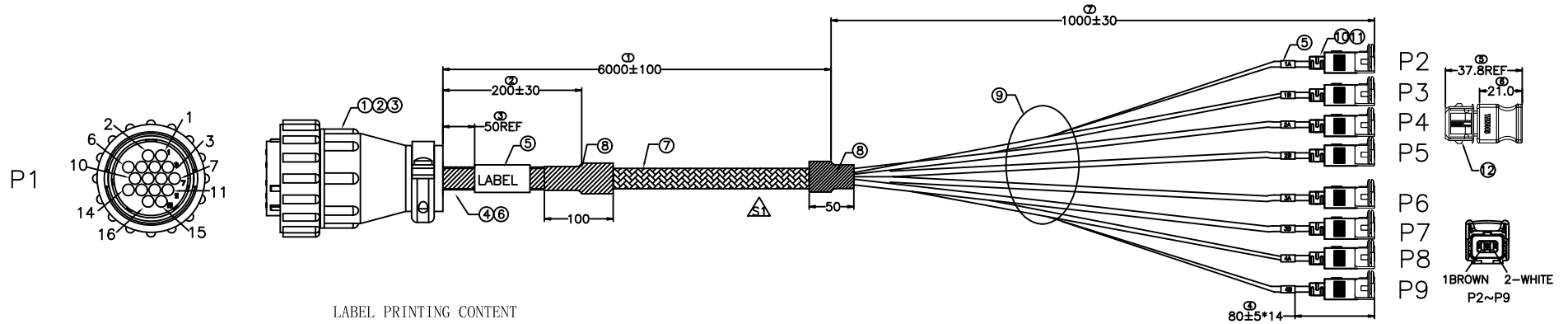


REV	DESCRIPTION	DATE	APPROVED
S0	UPDATED DRAWING	2022/09/08	YZH
S1	CHANGE CABLE SPECIFICATIONS	2023/08/16	YZH



LABEL PRINTING CONTENT

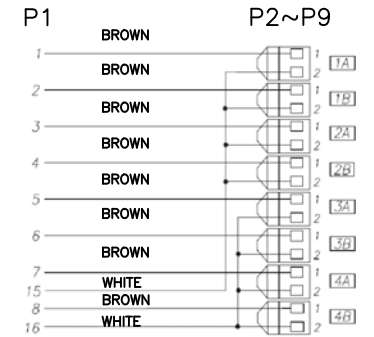
NUMBERING	PRINTING CONTENT	Remark	NUMBERING	PRINTING CONTENT
P1	4FN VALVE CABLE 7M(R987376344)		P6	3A
P2	1A		P8	4A
P3	1B		P9	4B
P4	2A			
P5	2B			

TESTING CONDITIONS:

- VOLTAGE: 300V DC/0.1S.
- INSULATION RESISTANCE: 10 Mohms min.
- CONDUCTIVE RESISTANCE: 5 Ohms max.
- 100% OPEN AND SHORT ELECTRICAL TEST.

*ALL MATERIALS ARE RoHS COMPLIANT.

WIRE LIST



⑫	N/A	PH5.0 2P HOUSING PLUG BLACK PBT	8	SET
⑪	PL00011	BLACK 45P PVC	48	g
⑩	N/A	AMP JUNIOR TIMER(C4) TE FEMALE CONNECTOR (LED:SSL-LX3044GD-12V)	8	SET
⑨	CA01496	UL20549 18AWG*2C OD=6.5mm JACKET BLACK FR-PU	8	PCS
⑧	YDHT0015	ø30 BLACK HEAT SHRINKABLE SLEEVE	2	PCS
⑦	HT00096	ø25 Black braided mesh tube	1	PCS
⑥	HT00008	ø12 BLACK HEAT SHRINKABLE SLEEVE	1	PCS
⑤	LB00007	LILONG LABEL HALF TRANSPARENT HALF WHITE L*W=25*45MM	9	PCS
④	CA00518	18AWG HOOK UP WIRE WHITE	1	SET
③	TE01319	TERMINAL(AMP P/N:66101-4)	16	PCS
②	CN01294	16PIN CONNECTOR(AMP P/N:206037-1)	1	SET
①	WK00773	16PIN CONNECTOR BACKSHELL CABLE CLAMP(AMP P/N:206070-1)	1	SET

ITEM	PART NO.	SPECIFICATION	Q'TY	UNIT
------	----------	---------------	------	------

SIGNAL[®]

Shenzhen Signal Electronics Co., LTD

TITLE
CS-CBL-VLV-4FN-A16FAXN
-070-C4JFAXL WIRE HARNESS

SGN NO 940000-00-692

DWG NO SGNYD2208136-1-470

CUSTOMER R987376344

DRAWN BY	DATE	TOLERANCES ARE:	THIRD ANGLE PROJECTION
CHECKED BY	DATE	DECIMALES .x ±0.5	ANGLES x.' ±2.0°
CHECKED BY	DATE	.xx ±0.20	.x' ±1.0°
APPROVED BY	DATE	SIZE: A4	UNITS: mm
THE INFORMATION CONTAINED IN THIS DRAWING IS THE SOLE PROPERTY OF SIGNAL COMPANY. ANY REPRODUCTION IN PART OR WHOLE WITHOUT THE WRITTEN PERMISSION OF SIGNAL COMPANY IS PROHIBITED.		SCALE:	SHEET: 1 OF 2