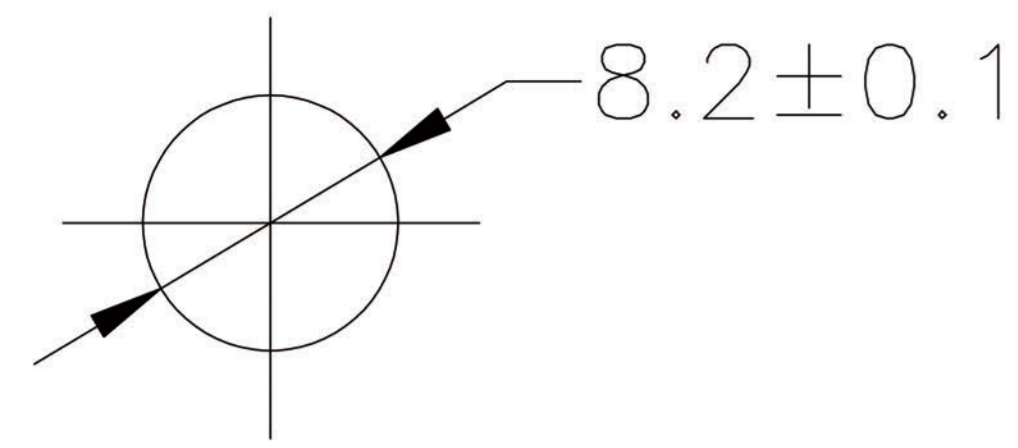
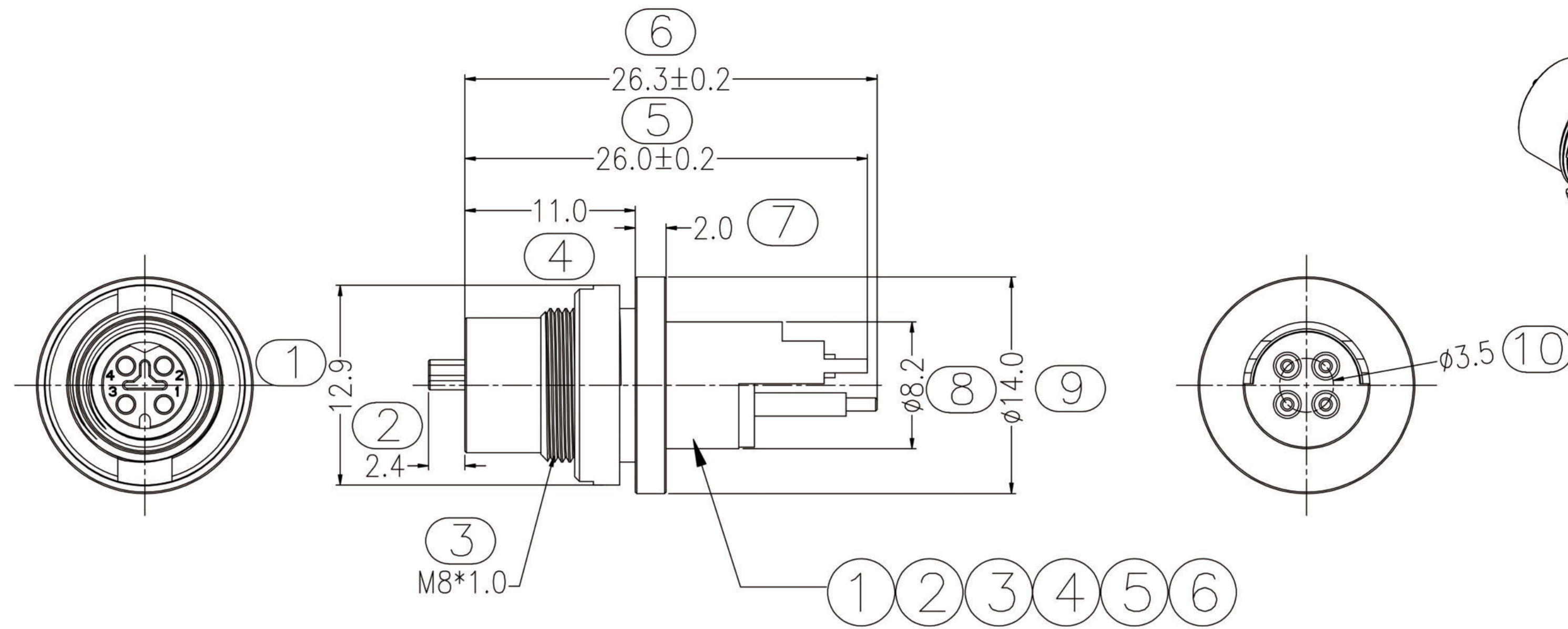


REV	DESCRIPTION	DATE	APPROVED
A0	CREATED DRAWING	2019/04/12	WANG



RECOMMEND  
PANEL CUT-OUT



说明:

1. 电气特性

- 额定电压: 交流/直流60V,
- 绝缘电阻: > 100MΩ
- 额定电流: 按3A
- 连接器的接触电阻 ≤ 5mΩ

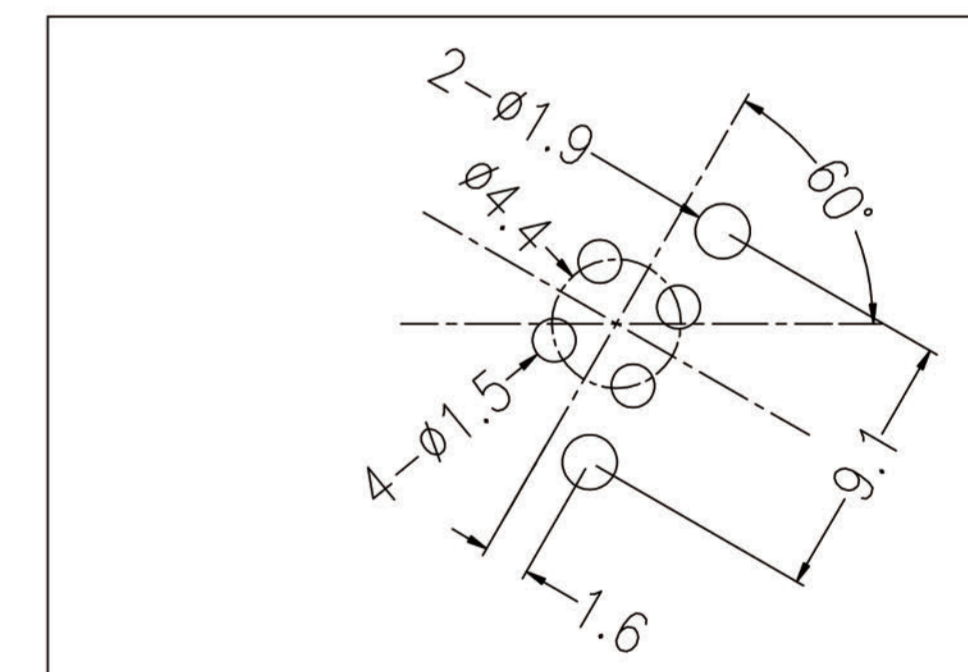
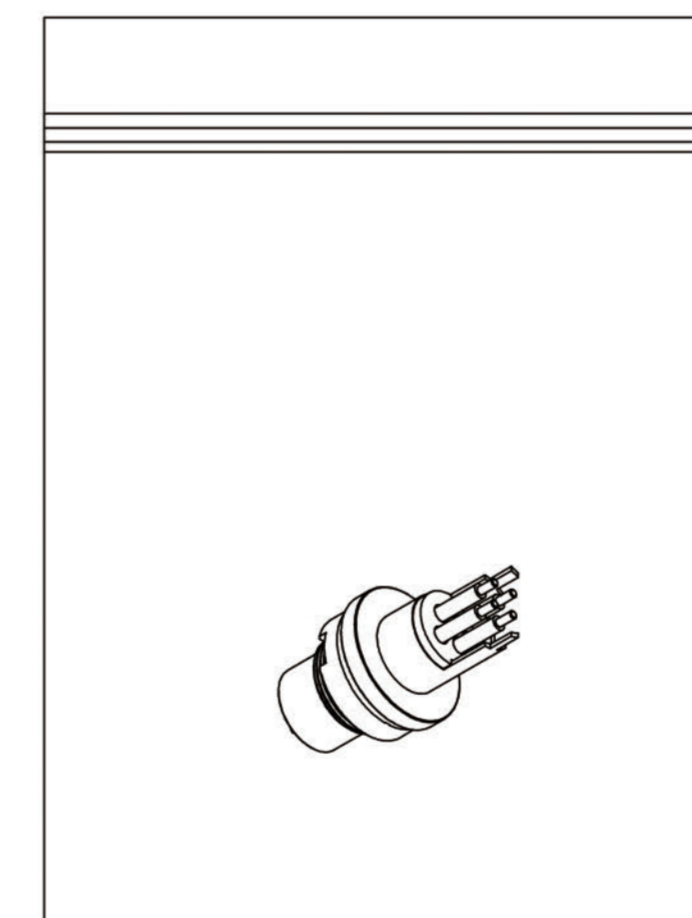
2. 机械特性: 插拔/周期 > 100 cycle

3. 环境特性

- 防护等级: IP67
- 操作温度: -25°C ~ + 85°C

4. 所有材料都符合RoHS标准。

防静电袋单条包装图示:



RECOMMEND  
MOUNTING  
HOLE DIM'S

ITEM	PART NO.	SPECIFICATION	Q'TY	UNIT
⑥	OR00016	黑色硅胶防水胶圈 $\phi 8 * \phi 10 * 1.0$	1	PCS
⑤	TE00640	M8 磷青铜镀金1u"插板式 端子 $\phi 1.0 * 23.7\text{mm}$ (YDTE0347)	4	PCS
④	CN00714	M8 P型 4P 红色尼龙母胶芯 L=21.05mm (YDCN0184)	1	PCS
③	NU00077	M8 黄铜镀镍螺母 L*W=12.9*2.9mm (YDNU0013)	1	PCS
②	OR00004	M8 绿色氟胶防水胶圈, $\phi 4.34 * 0.76\text{mm}$	1	PCS
①	WK00453	M8 黄铜镀镍主体 $\phi 14.0 * 26.0$ (YDWK0124)	1	PCS

**SIGNAL**®

Shenzhen Signal Electronics Co., LTD

DRAWN BY		DATE		TITLE	
CHECKED BY		DATE		M8 P 4PIN FEMALE CONNECTOR	
APPROVED BY		DATE		SGN NO	REV.
				080904-04-005	
				DWG NO	A0
				SGN01001-631	
				CUSTOMER	
				1220-10195	
				TOLERANCES ARE:	THIRD ANGLE PROJECTION
				DECIMALES	ANGLES
				.x ±0.5	x: ±2.0°
				.xx ±0.20	.x: ±1.0°
				SIZE: A4	UNITS: mm
				SCALE:	SHEET: 1 OF 1

THE INFORMATION CONTAINED IN THIS DRAWING IS THE SOLE PROPERTY OF SIGNAL COMPANY. ANY REPRODUCTION IN PART OR WHOLE WITHOUT THE WRITTEN PERMISSION OF SIGNAL COMPANY IS PROHIBITED.